

CRAFT DISTON

INSTALLATION INSTRUCTIONS

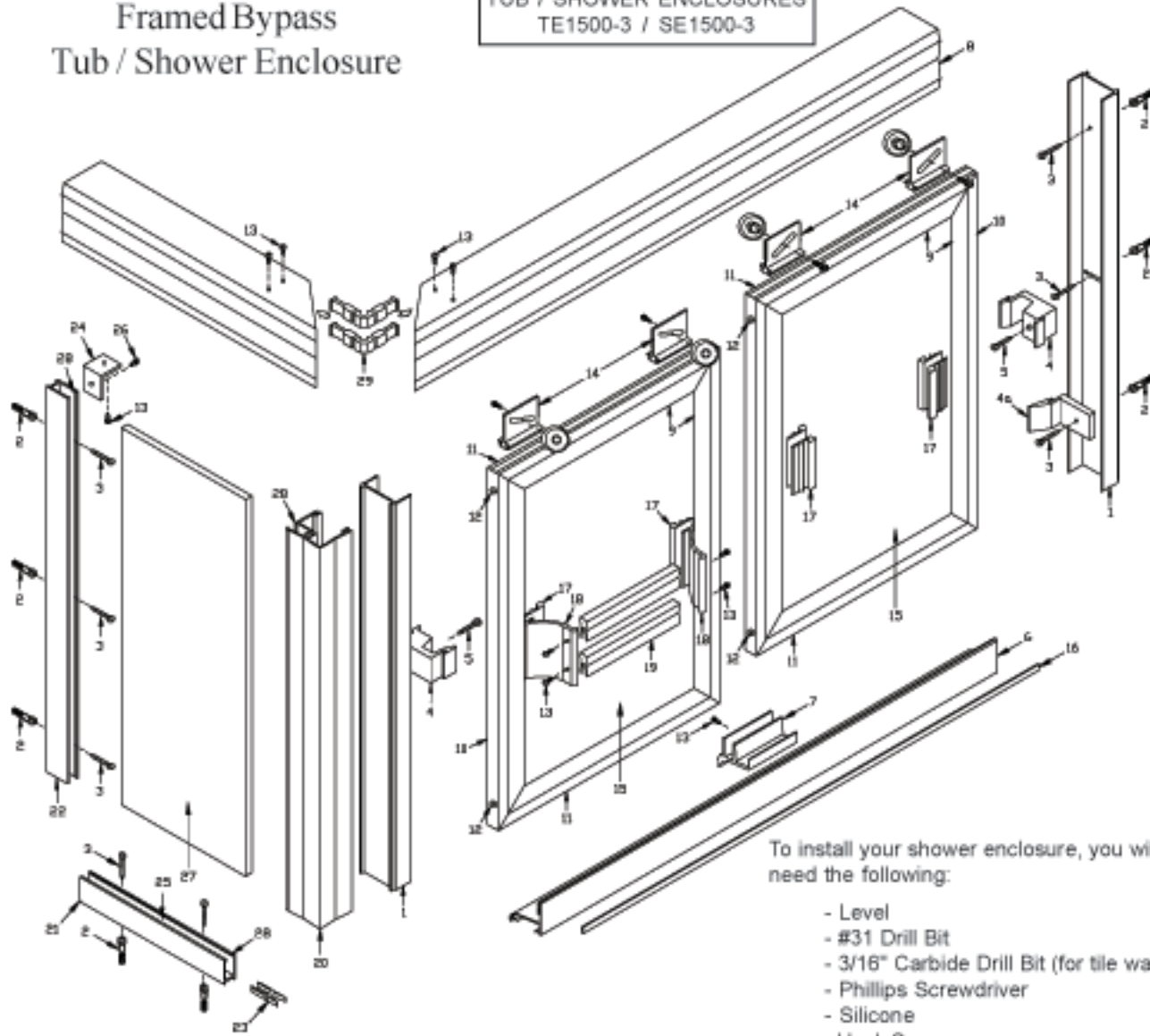
When Ordering Repair Parts, Please Give The Following Information:

Model Numbers

TUB / SHOWER ENCLOSURES
TE1500-3 / SE1500-3

1. Model Number
2. Part Number
3. Part Description
4. Color

High Light Series Framed Bypass Tub / Shower Enclosure



To install your shower enclosure, you will need the following:

- Level
- #31 Drill Bit
- 3/16" Carbide Drill Bit (for tile walls)
- Phillips Screwdriver
- Silicone
- Hack Saw
- 1/4" Box End Wrench

Description	Qty.	Part #	Picture
1. Wall Jamba	2	TE-1203	
2. Wall Anchors	8	HWANCHOR	
3. #8 x 1 1/2" SMS Screws	8	#8 x 1 1/2" SMS	
4. Door Bumpers	2	V-924	
4a. Bottom Bumper	1	V-926	
5. 6-32 x 1/2" MS Screws	2	6-32 x 1/2" MS	
6. Bottom Sill (with V-526)	1	TE-1522	
7. Center Guide - 3"	1	V-529	
8. Headers - Mitered	2	TE-1201	
9. Glazing Vinyl		V-542	
10. Vertical Rails	4	TE-1507	
11. Top & Bottom Rails	4	TE-1501	
12. #8 x 1 1/4" LPS Screws	8	#8 x 1 1/4" LPS	
13. #6 x 3/8" SMS Screws	10	#6 x 3/8" SMS	
14. Roller Bracket Assembly	4	TE-1511	
15. Glass Panels	2		
16. Bottom Sill Vinyl Door Guide	1	V-528	
17. Slider Pulls	8	TE-1510	
18. Towel Bar Brackets	2	TE-1512	
19. Towel Bars	1	TE-1205	
20. 90-Degree Post	1	TE-1214	
21. Curb Channel	1	D-1006	
22. Wall Channel	1	D-1006	
23. Post To Curb Key	1	C-180-3/16	
24. Wall Channel-to-Header Clip	1	D-90-15/16	
25. Glass Support Block	1	V-902	
26. #6 x 1/4" SMS B Screws	1	#6x1/4MSB	
27. Glass Panel	1		
28. Vertical Seal Vinyl	8	V-909	
29. 90-Degree Header Clips	2		

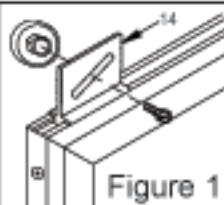


Figure 1

- Using a straight edge, draw a line down the center on the top of the tub rim or pan curb. (The lines should cross in the center of the front corner).
- Set jamb (1) in place on wall, centering bottom of jamb on rim of tub. Hold plumb and mark wall for screw holes.
- Remove jamb (1) and drill 3/16" hole and insert plastic screw anchors (2).
- Silicone where the wall meets the rim of the tub to seal bottom corner of jamb. Set jamb (2) in place and secure with #8 x 1 1/2" screws (3). Secure bottom bumper (4a) on showerhead side with

bottom jamb screw.

5. Measure, on end panel side, from back wall to center of front corner where lines cross. Deduct 1/4" from this measurement and cut curb channel (21) to length. Run a bead of silicone on underside of curb channel and set curb channel in place on center of curb, (Weep holes to inside). Slide post to curb key (23) onto curb channel (21) and move to the wall.

Vertical wall channel will key over exposed end.

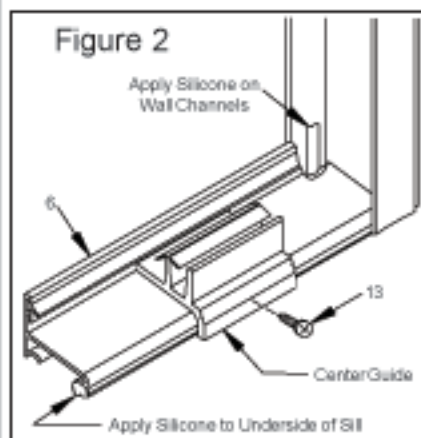


Figure 2

vertical seal vinyl (28) into post and curb channel on both sides of panel glass.

9. Measure from inside of wall jamb to inside of 90 post and use this measurement to cut sill (6) to length. Run a bead of silicone full length to underside of sill and apply silicone in corners where wall jamb and corner post meet curb and press guide firmly into place on curb (See Figure 2).

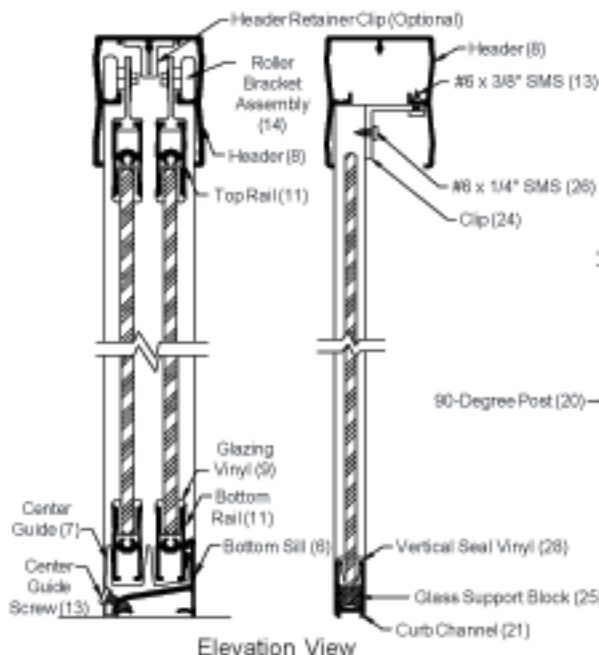
10. Assemble header (8) using 90 clips (29) and #6 x 3/8" SMS (13). Measure from both walls to outside corner of corner post (plumb in both directions) and add 3/16" to this measurement for header length. Cut header to length and set in place over jamb (1), corner post (20) and wall channel (22). Secure header to jamb and corner post from inside of shower and to clip (24) attached to wall channel with #6 x 3/8" SMS (13).

11. To set slider glass in place, hold inside slider panel inside of tub or shower pan, insert rollers up into header and lower into place. Next, insert lower end of outside slider (17) in front of inside slider by pushing lower ends far enough in, to allow clearance on inside edge of tub or pan. Avoid roller bracket to roller bracket contact while lifting panel into place. The outside slider

6. Set wall channel (22) onto curb channel, hold plumb and mark screw hole locations. Remove wall channel and drill 3/16" holes and insert plastic anchors (2). Fill curb channel with silicone where curb channel meets wall and set wall channels in place. Secure wall channel using #8 x 1 1/2" SMS (3). Secure header clip (24) to inside leg of wall channel with a #6 x 1/4" screw (26).

7. Place glass support blocks (25) in place in curb channel. Set panel (29) in place in curb channel and wall channel. Insert vertical seal vinyl (28) into wall channel on both sides of the panel.

8. Insert clip (23) into curb channel and apply a layer of silicone to curb where 90 post will set. Set corner post (20) in place over edge of panel glass and curb clip, hold plumb and insert



Elevation View

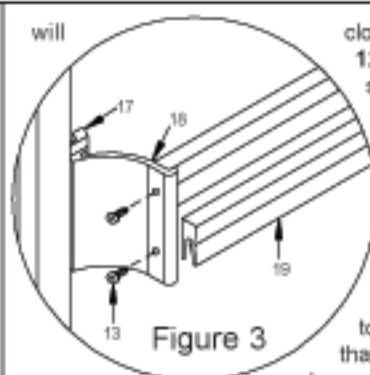


Figure 3

close against the jamb opposite the showerhead.

12. Place center guide (7) to center position on sill (6). Make sure the center guide is hooked into the slot position on the sill, then drill a hole using a #31 drill bit and fasten center guide to sill with the #6 x 3/8" screw (13) provided.

13. Close panels and adjust to align the vertical edge of panels with jamb and post. Using a 1/4" box-end wrench, loosen the screws on the rollers, but don't remove completely. When screws are loose, adjust panel by sliding the screw in the slot.

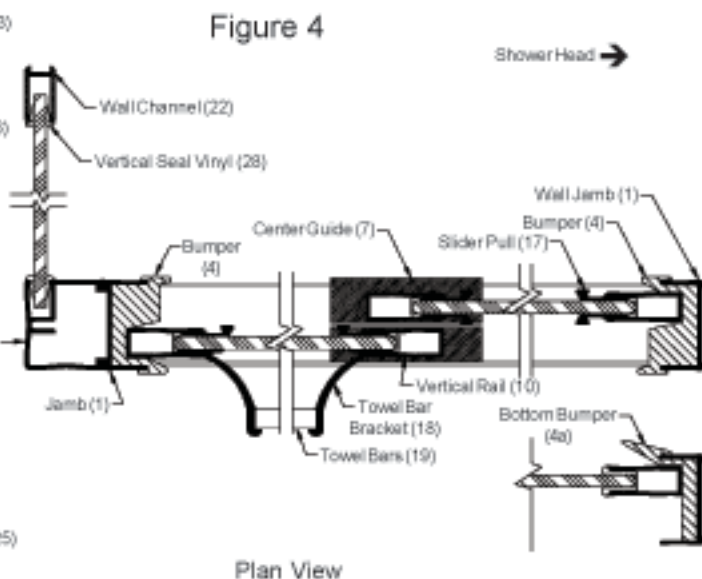
Note: when screws are loose be sure to support panel so it does not fall and break. Adjust inside slider as low as possible to reduce the gap between bottom of slider and sill taking care that the glass does not drag on the track or center guide. Adjust for bowed glass by using the slotted hole in the jamb.

14. Install bumpers (4) to jamb and corner post with a 6-32 1/2" screw (5). **NOTE:** Glass panels close into the recessed portion of Bumpers (4). The recess is toward the inside of the tub on the showerhead jamb and toward the outside on the corner post.

15. To set the slider pulls (17) and towel bar brackets (18), first remove any masking tape that was used to hold the vinyl in place. Now on the inside slider, push or gently tap the four pulls (17) into place in the 3" gaps left between the two ends of the glazing vinyl (9).

16. Repeat Step #13 on the outside slider making sure that the towel bar brackets (18) are on the outside. Assemble towel bars (19) to towel bar brackets with four #6 x 3/8" SMS screws (13). (See Figure 3.)

17. Silicone inside of shower where jambs meet walls and sill meets rim of tub.



Plan View