

# CRAFT DISTON

## INSTALLATION INSTRUCTIONS

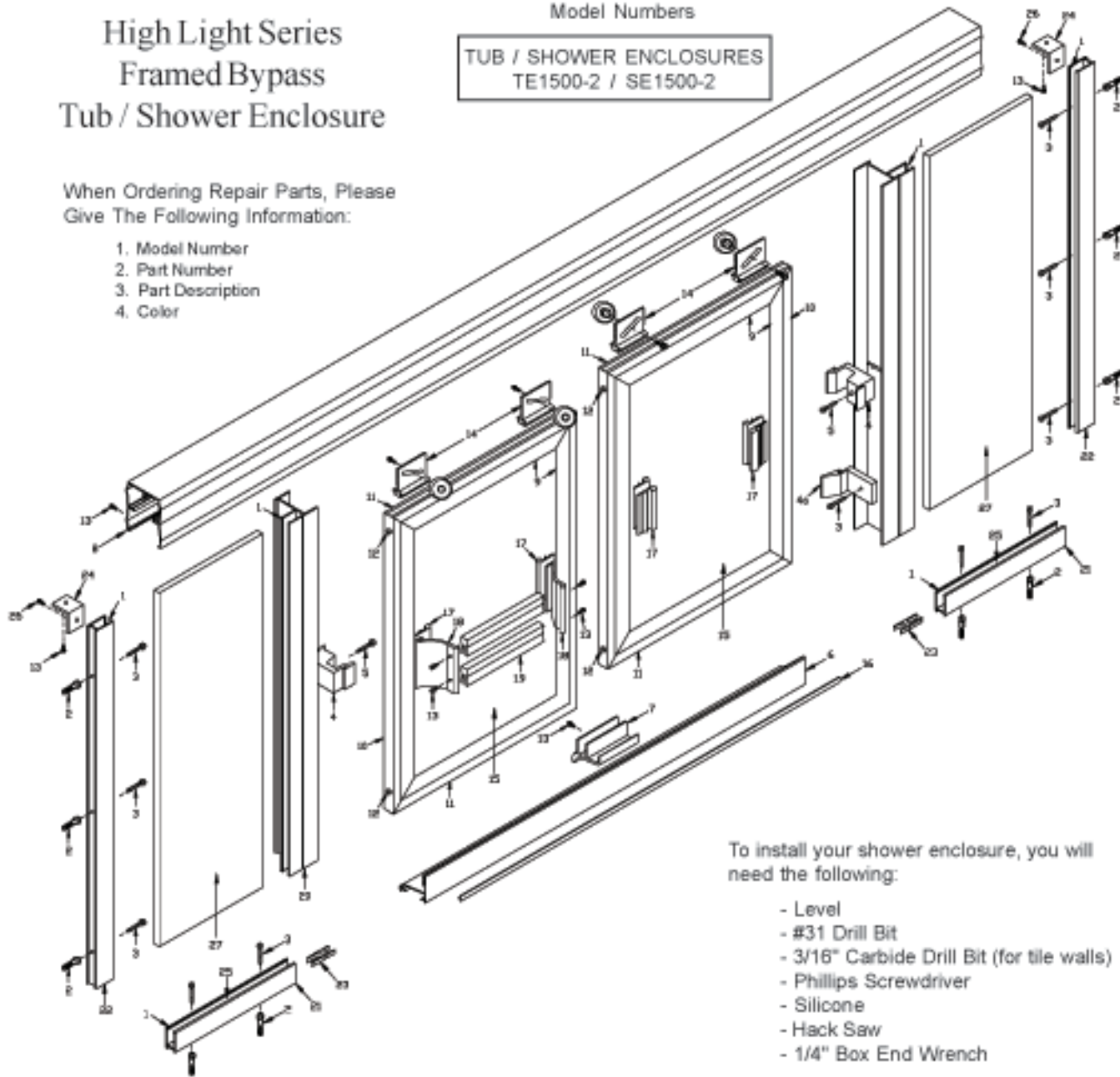
Model Numbers

TUB / SHOWER ENCLOSURES  
TE1500-2 / SE1500-2

### High Light Series Framed Bypass Tub / Shower Enclosure

When Ordering Repair Parts, Please  
Give The Following Information:

1. Model Number
2. Part Number
3. Part Description
4. Color



To install your shower enclosure, you will  
need the following:

- Level
- #31 Drill Bit
- 3/16" Carbide Drill Bit (for tile walls)
- Phillips Screwdriver
- Silicone
- Hack Saw
- 1/4" Box End Wrench

Description	Qty.	Part #	Picture
1. Vertical Seal Vinyl	12	V-908	
2. Wall Anchors	8	HWANCHOR	
3. #8 x 1 1/2" SMS Screws	8	#8 x 1 1/2" SMS	
4. Door Bumpers	2	V-924	
4a. Bottom Bumper	1	V-926	
5. 6-32 x 1/2" MS Screws	2	6-32 x 1/2" MS	
6. Bottom Sill (with V-528)	1	TE-1522	
7. Center Guide - 3"	1	V-529	
8. Header	1	TE-1201	
9. Glazing Vinyl		V-542	
10. Vertical Rails	4	TE-1507	
11. Top & Bottom Rails	4	TE-1501	
12. #8 x 1 1/4" LPS Screws	8	#8 x 1 1/4" LPS	
13. #6 x 3/8" SMS Screws	10	#6 x 3/8" SMS	
14. Roller Bracket Assembly	4	TE-1511	
15. Door Glass Panels	2		
16. Bottom Sill Vinyl Door Guide	1	V-528	
17. Slider Pulls	8	TE-1510	
18. Towel Bar Brackets	2	TE-1512	
19. Towel Bars	1	TE-1205	
20. 180-Degree Posts	2	TE-1218	
21. Curb Channels	2	D-1006	
22. Wall Channels	2	D-1006	
23. Post To Curb Keys	2	C-180-3/16	
24. Wall Channel-to-Header Clips	2	D-90-15/16	
25. Glass Support Blocks	2	V-902	
26. #6 x 1/4" SMS B Screws	2	#6x1/4MSB	
27. In-Line Glass Panels	2		

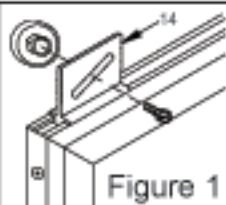


Figure 1

1. For 30" wide sliders deduct 60" from opening width and divide by two and subtract 7/8" to arrive at length of channel curbs (21).
2. Set channel curbs (21) temporarily in place on curb, inside edge of channel curb should be set 1/4" to outside of center of curb. Set wall channels (21) in place on curbs, hold plumb and mark screw hole locations.
3. Remove wall channels and channel curbs. Drill 3/16" holes in walls, and insert plastic screw anchors (2).
4. Run bead of silicone full length, to underside of channel curbs (22). Set channel curbs in place with weep holes to the inside. Fill channel with silicone where curb meets wall. Set wall channels in place and secure with #8 x 1 1/2" SMS (3). Secure clips (24) to top inside of wall channels with a #6 x 1/4" SMS (26).

5. Place glass support block (25) in center of channel curbs. Set panels (27) in place in curbs and into wall channels. Insert post to curb keys (23)

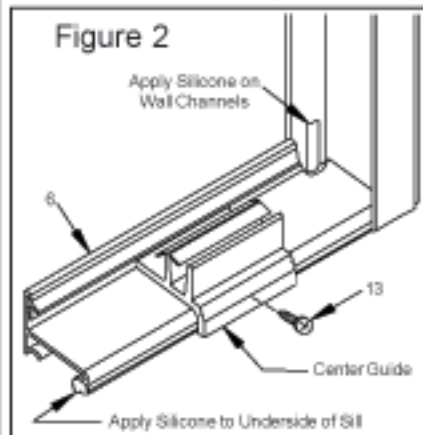
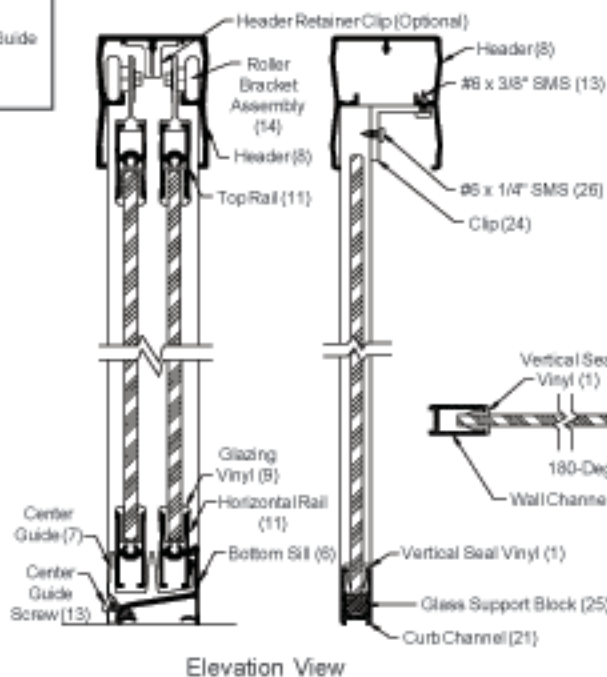


Figure 2

6. Caulk curb where 180-degree post (19) will set. Fill channel of 180-degree post with silicone, opposite bumper location, to help support post on panel. Set 180-degree post in place over edge of panel, hold plumb and insert vertical seal vinyl (1) into wall channel and post on both sides of panel. Insert vertical seal vinyl into channel curb on both sides of panel.
7. Measure between 180-degree post (20) at the curb and use this measurement to cut bottom sill (6) to length. Run a bead of silicone, full length to underside of sill and press firmly in place on curb.

8. Cut header (8) 1/32 to 1/16" less than opening width and set in place over 180-degree posts and wall channels. Secure header to 180-degree posts and wall channel clips (24) with #6 x 3/8" SMS (13)
9. To set slider glass in place, hold inside slider panel inside of tub or shower pan, insert rollers up into header and lower into place. Next, insert lower end of outside slider in front of inside slider by pushing lower ends far enough in, to allow clearance on inside edge of tub or pan. Avoid roller bracket to roller bracket contact while lifting panel into place. The outside slider will close against



Elevation View

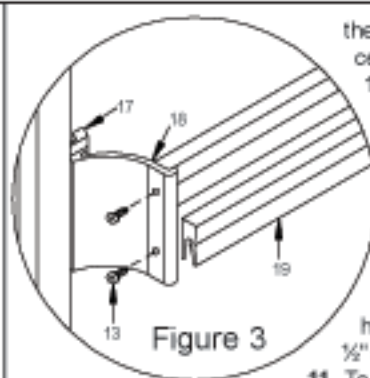


Figure 3

10. Close panels and adjust to align the vertical edge of panels 180-degree posts. Using a 1/4" box-end wrench, loosen the screws on the rollers, but don't remove completely. When screws are loose, adjust panel by sliding the screw in the slot. **Note:** when screws are loose be sure to support panel so it does not fall and break. Adjust inside slider as low as possible to reduce the gap between bottom of slider and sill taking care that the glass does not drag on the sill (6) or center guide (7). Adjust for bowed glass by using the slotted hole in the jamb. Secure bumpers (4) to the jambs using 6-32 x 1/2" screws (5).
11. To set the slider pulls (17) and towel bar brackets (18), first remove any masking tape that was used to hold the vinyl in place. Now on the inside slider, push or gently tap the four pulls (17) into place in the 3" gaps left between the two ends of the glazing vinyl (9).

12. Repeat Step #13 on the outside slider making sure that the towel bar brackets (18) are on the outside. Assemble towel bars (19) to towel bar brackets with four #6 x 3/8" SMS screws (13). (See Figure 3.)
13. Silicone inside of shower where jambs meet walls and sill meets rim of tub.

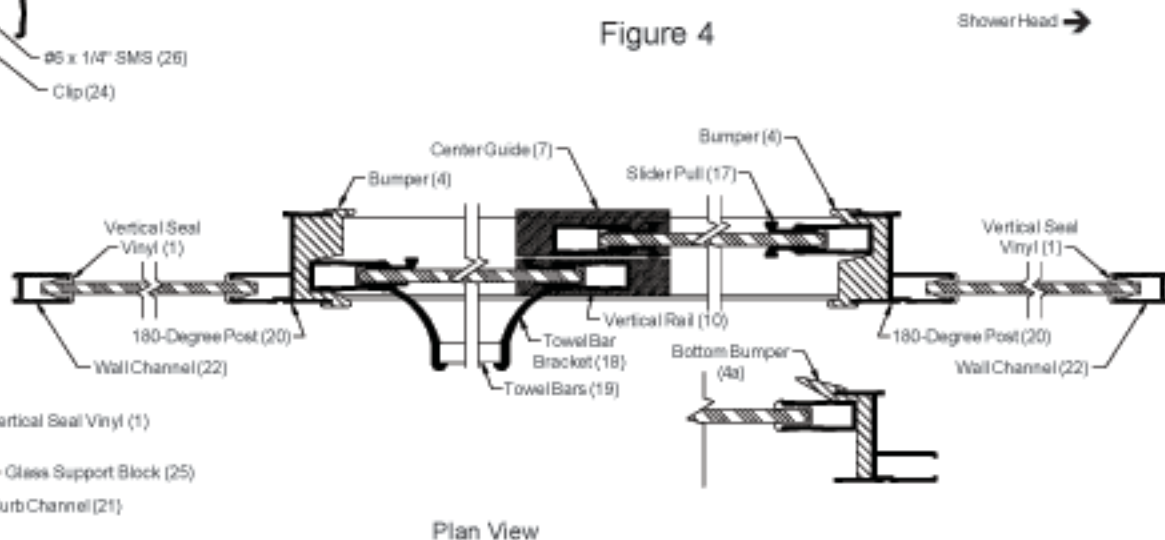


Figure 4

Plan View