

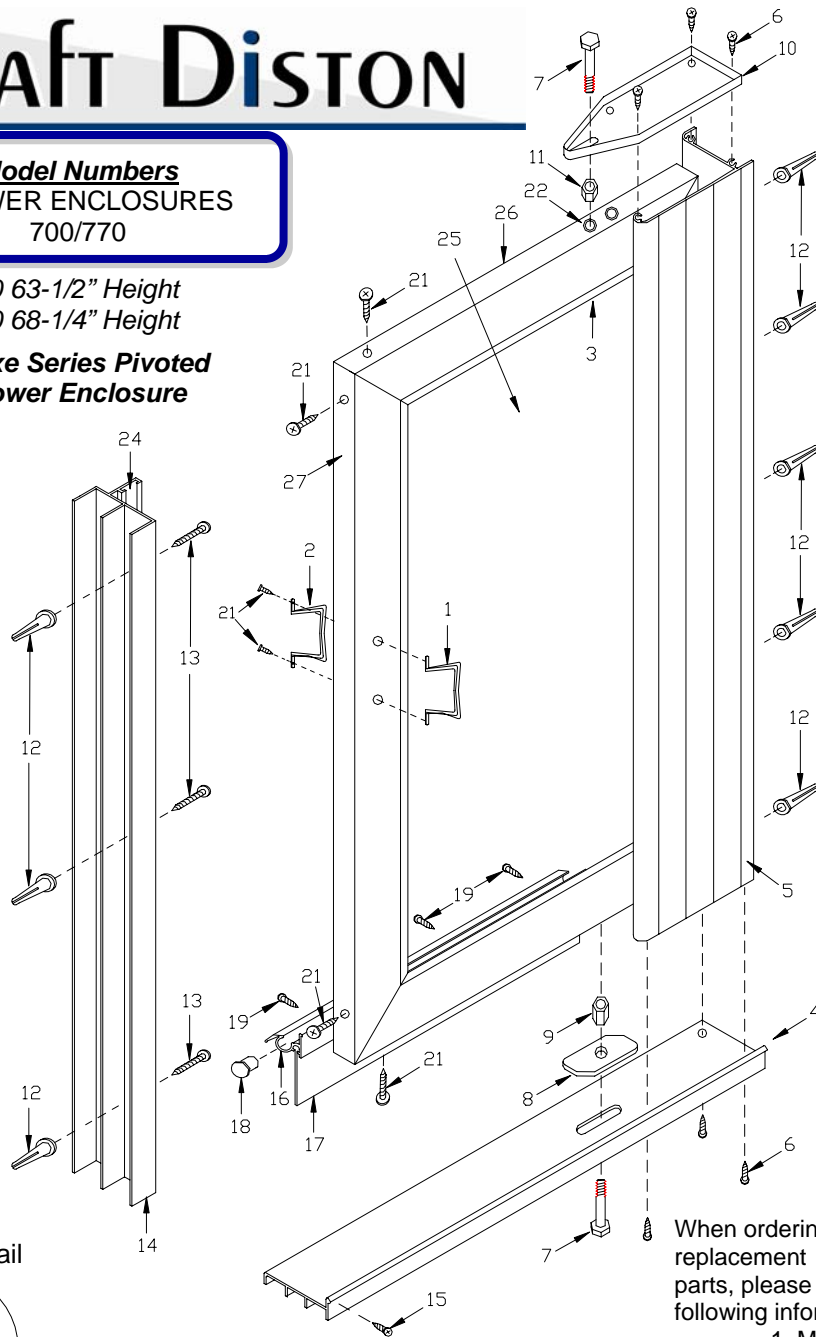
CRAFT DISTON

INSTALLATION INSTRUCTIONS

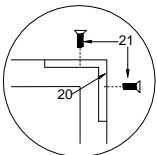
Model Numbers
SHOWER ENCLOSURES
700/770

700 63-1/2" Height
770 68-1/4" Height

**Deluxe Series Pivoted
Shower Enclosure**

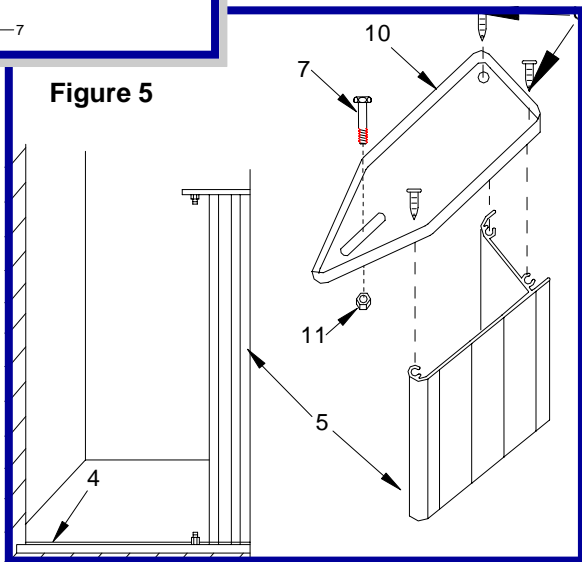
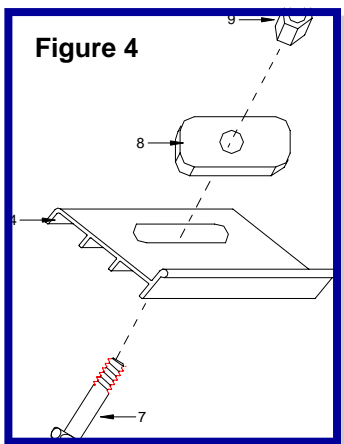
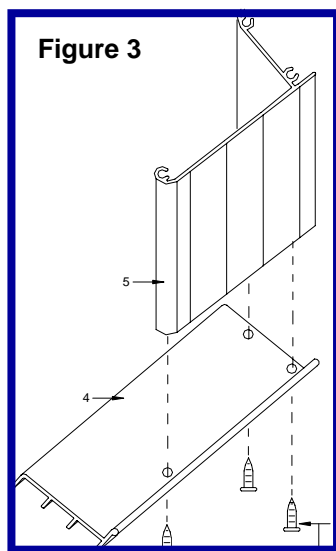
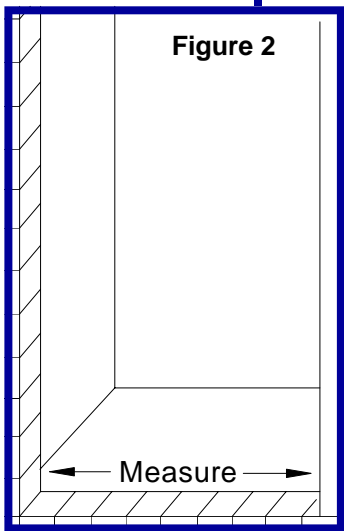
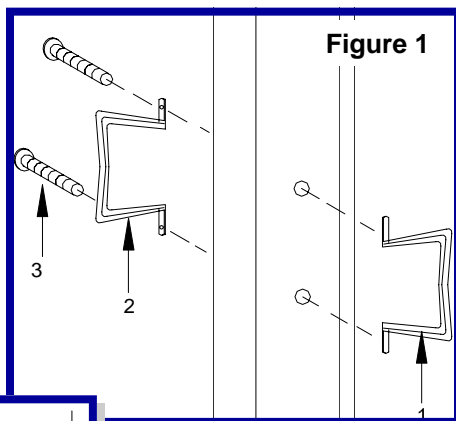


Corner Detail



When ordering replacement parts, please give the following information:
1. Model Number
2. Part Number
2. Part Description
3. Color

Description	Qty	Part #	Picture
1. Outside (male) Door Handle	1	HW8153	
2. Inside (female) Door Handle	1	HW8149	
3. #6-32x5/8" FH MS Screws	2		
4. Pivot Threshold	1	ALCFM31	
5. Wide Pivot Jamb	1	ALCFM30	
6. #8x1/2" PH SMS Screws	6		
7. Pivot Bolts—1/4"x1"x20	2		
8. Cover Plate	1	HWA814	
9. Nylon Spacer Nut—1/4"x1/2"	1		
10. Top Pivot Bracket	1	HW19595	
11. Top Spacer Nut—1/4"x1/4"	1		
12. Wall Anchors	8	HWANCHOR	
13. #8x1-1/2" TH SMS Screws	8		
14. Strike Jamb	1	ALCFM85	
15. #6x3/8" PH SMS Screws	1		
16. Drip Channel	1	ALCFM49	
17. Drip Channel Vinyl	1	VL1596	
18. Drip Channel Plug	1	HWNO312	
19. #6x3/8" PH SMS Screws	3		
20. Corner Angles	4	ALSS252	
21. #8-32x1/2" FH MS Screws	8		
22. Nylon Bushings	4		
23. Pivot Jamb Splash Vinyl	1	VL762	
24. Magnetic Strip	2	VL521	
25. Tempered Glass	1		
26. Door Frame	3	ALCFM1	
27. Magnetic Glass Frame	1	ALCFM83	
28. Glazing Vinyl	16	VL903	



Step 1 – Unpack Materials

- Remove and verify all of the parts from the packaging.
- Check all parts for possible damage.
- You will need the following items to install this product:
 - Pencil
 - Silicone (GE1200-recommended)
 - Side Cutters
 - Level
 - Tape Measure
 - Hacksaw
 - Glazing Block
 - Phillips and Standard Screw Drivers
 - Drill with 3/16" , 9/64"& #31 bits (Carbide tip for tile or 3/32" bit for fiberglass walls.)
 - Hammer
- Other helpful items: -Torch Wrench -Punch -Rags

Step 2 – Install Door Handles

- Attach outside (male) door handle (1) & inside (female) door handle (2) to door with two #8-32x1/2" FH MS screws (3).
- Set door assembly aside. (**See Figure 1**)
- Note: The inside door handle should be placed on the magnet side of the door.*

Step 3 – Prepare Opening

- This door is reversible, thus it can swing to the left or right.
- Decide which way you would like your door to swing.
- Measure the wall to wall opening of the shower curb.
- Cut bottom threshold (4) 1/16" less than the opening width. (**See Figure 2**)
- Note: Leave the pivot slot & screw holes on pivot side.*
- Note: Place the high side of the threshold to the outside of the shower.*

Step 4 – Prepare Pivot Jamb

- Attach threshold (4) to wide pivot jamb (5) using three #8x1/2" PH SMS screws (6). (**See Figure 3**)

Step 5— Bottom Pivot Assembly

- Insert pivot bolt (7) into threshold (4) pivot slot.
- Place cover plate (8) onto bolt. (**See Figure 4**)
- Thread nylon spacer (9) nut onto bolt.
- The bolt should be snug, but not tight.

Step 6 – Top Pivot Assembly & Jamb Prep

- Attach top pivot bracket (10) to wide pivot jamb (5) using three #8x12" PH SMS screws (6). (**See Figure 5**)
- Start bolt (7) into top spacer nut (11), do not tighten.
- Position pivot jamb on wall.
- Plumb pivot jamb and mark installation holes on wall.
- Remove sill & jamb assembly.
- For ceramic tile installation, use a 3/16" masonry bit for

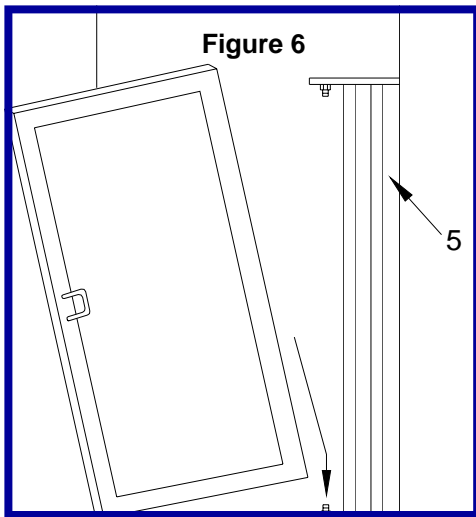


Figure 6

Step 6 – (Continued)

- drilling installation holes & install plastic wall anchors (12)
- For fiberglass installation, use a 3/32" drill bit for drilling installation holes.

Step 7 – Secure Sill & Jamb

- Replace sill & jamb assembly in previous location.
- Secure wide pivot jamb (5) to wall with three #8 x 1 1/2" TH SMS screws (13). (See Figure 6)
- Determine which pivot hole in door is to be used & set door into bottom bolt.
- Thread top bolt (7) into pivot hole in top of door.

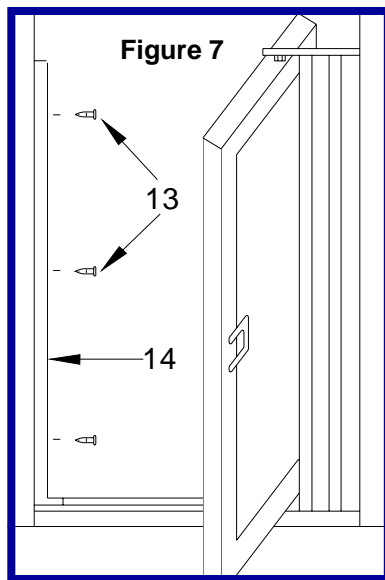


Figure 7

Step 8 – Strike Jamb Prep

- Position strike jamb (14) on threshold, make sure threshold is even on curb.
- Close door against strike jamb assuring door fits against jamb.
- Mark holes on wall & remove strike jamb.
- Using a 3/16" masonry bit, drill installation holes & install plastic wall anchors (12).
- Replace strike jamb (14), secure to wall with three #8x1 1/2" TH SMS (13). (See Figure 7)

Step 9 – Secure Strike Jamb

- Anchor strike jamb (14) to threshold with one #6x1/2" PH SMS (15).
- Adjust door to opening & tighten both the bottom & top pivot bolts (7). (See Figure 8)

Note: If magnet does not pull door shut, reverse strike jamb magnet. Groove in magnets should match.

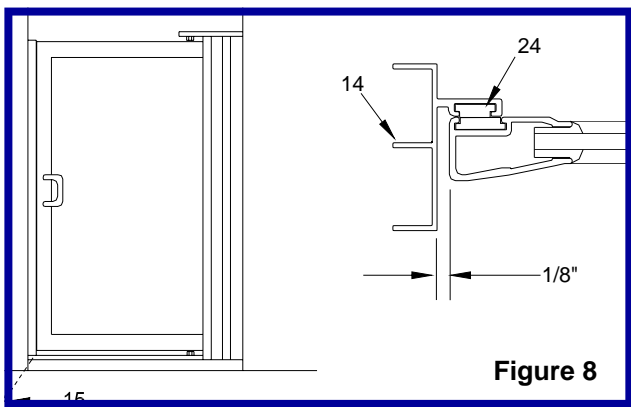


Figure 8

Step – Drip Vinyl Installation

- Cut drip channel (16) 1/2" less than panel width.
 - Insert drip channel vinyl (17) into drip channel (16) & trim to size.
 - Insert plastic drip channel plug (18) into end of drip channel.
 - With door closed, position drip channel on inside of door with a slope to the pivot side.
 - Mark the location, then clean door thoroughly with rubbing alcohol.
 - Peel cover off double face tape & install drip channel.
 - For additional security, drill three 3/32" holes from drip channel into door. (See Figure 9)
 - Secure with three #6x3/8" PH SMS (19).
- IMPORTANT:** Holes must be drilled a minimum of 3/8" below exposed glass.

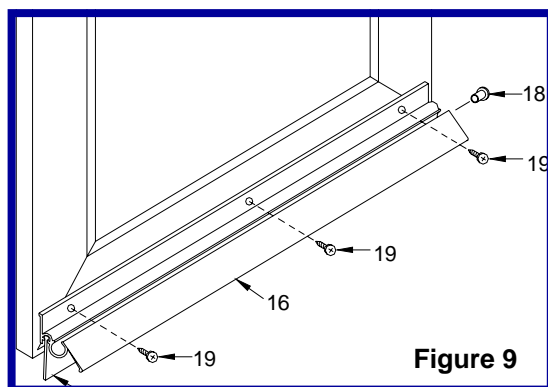


Figure 9

Step 11 – Seal

- Apply silicone to the inside of tub/shower where jambs meet walls and sill meets rim of tub/shower.