

CRAFT DISTON

Series 451 / 690 Tub Enclosure With Tile Rise

SPECIFICATIONS:

General: All aluminum enclosures shall be series No. 451 / 690 as manufactured by Craft Fabricators, Ft. Scott, KS.

MATERIALS AND CONSTRUCTION:

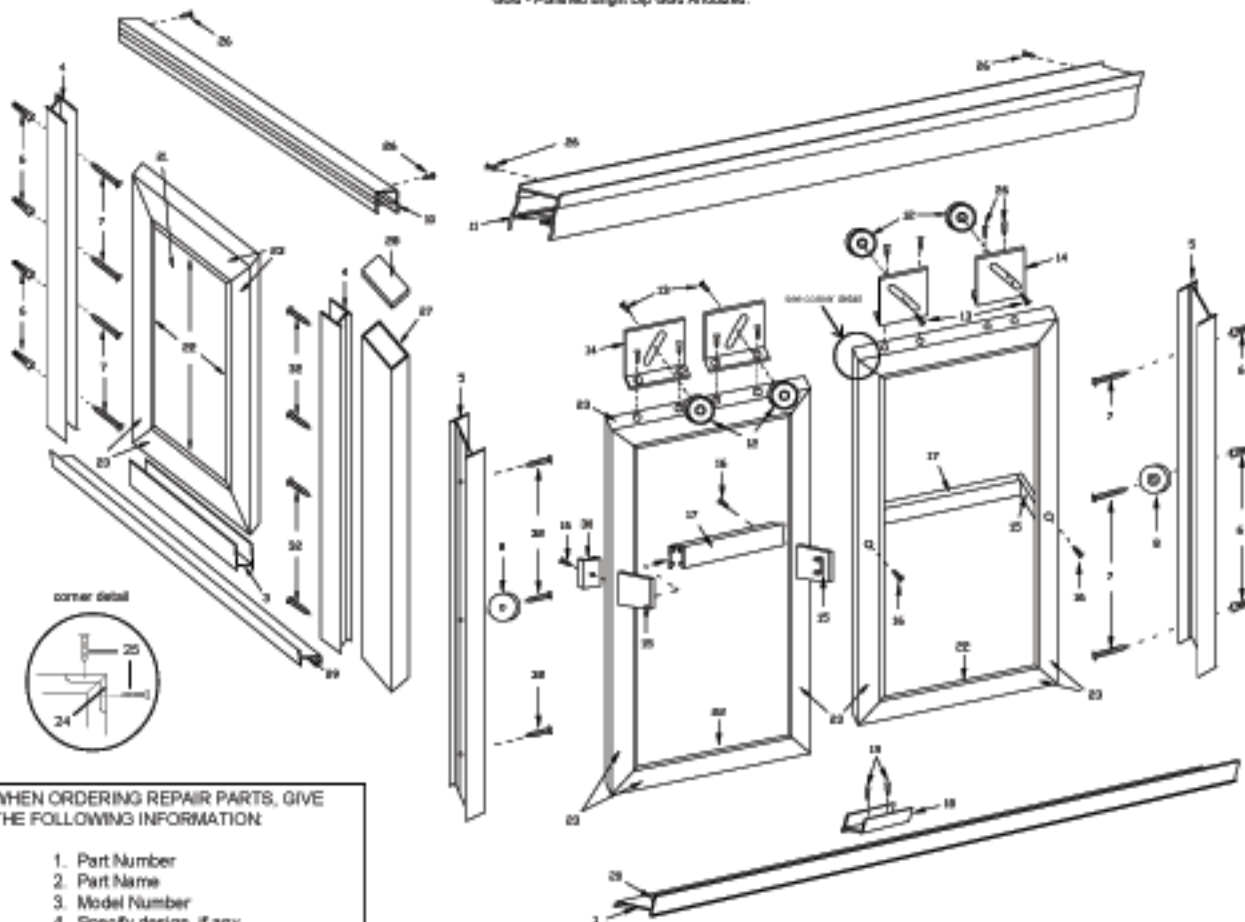
Aluminum extrusions to be of 6063 T-5 alloy.
All glass frames to be 1 1/4" in width.
All fasteners shall be stainless steel.
All guides and glazing materials to be vinyl.
Bearings to be ball bearing with nylon racers.
Handle and towel bar brackets to be chrome or gold plated.

FINISH:

Silver - Polished Bright Dip Anodized.
Gold - Polished Bright Dip Gold Anodized.

To install your shower enclosure, you will need the following:

- level
- 1/8", 3/16" and 3/32" drill bits
- phillips screwdriver
- sealant



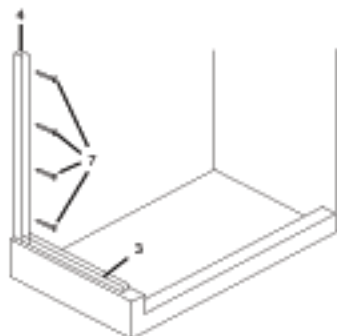
WHEN ORDERING REPAIR PARTS, GIVE THE FOLLOWING INFORMATION:

1. Part Number
2. Part Name
3. Model Number
4. Specify design, if any

DESCRIPTION	QTY.	PART #	
1. Open track	1	CFM-51	
2. #8 x 1/2" pan head sheet metal screws	4		
3. Sill channel	1	CFM-53	
4. Panel wall channels	2	CFM-53	
5. Wall joints for sliding doors	2	CFM-10	
6. Wall anchors	8		
7. #8 x 1 1/2" truss head sheet metal screws	7		
8. Bumpers	2	9003157802	
9. Corner post assembly (CFM-51, CFM-53, and 1/2" x 2")	1		
10. Panel header	1	CFM-34	
11. Door header	1	CFM-48	
12. Rollers	4	1190	
13. 8-32 x 3/8" pan head machine screw (BEM)	4		
14. Roller brackets	4	CFM-40	
15. Towel bar brackets	4	19600	
16. 6-32 x 1/2" truss head machine screw	4		
17. Towel bars	2	CFM-81	
18. Vinyl guide	1	1032	
19. #6 x 3/8" flat head sheet metal screws	2		
20. Track silencer	1	622	
21. Tempered glass (glass units)	3	988	
22. Glazing vinyl	87 ft.	919	
23. Door frames	12	CFM-1	
24. Corner angles	12	183-1-1	
25. #8-32 x 1/2" flat head machine screws	24		
26. #6 x 3/8" pan head sheet metal screws	10		
27. 1" x 2" post	1	A-1811	
28. Post cap	1		
29. Panel threshold	1		
30. Door stop	1		
31. #8 x 7/8" truss head sheet metal screws	7		
32. #6-32 x 5/8" truss head machine screw	1		

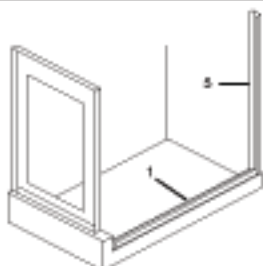
SERIES 451 / 690
with tile rise

Step 1



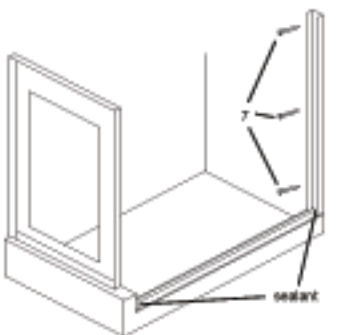
- position panel threshold (3) on curb.
- place wall channel (4) on threshold next to wall where stationary panel is to be installed.
- plumb wall channel and mark installation holes on wall.
- remove all parts.
- for ceramic tile installation, use a 3/16" masonry bit for drilling installation holes and install plastic wall anchors (6).
- for fiberglass installation, use a 1/8" drill bit for drilling installation holes.
- cut sill channel (3) 1/8" less than panel width and secure to threshold with two #8 x 1/2" pan head sheet metal screws (31).
- secure wall channel to wall with four #8 x 1 1/2" truss head sheet metal screws (7).

Step 2



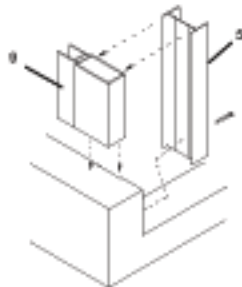
- place stationary panel into sill and wall channels.
- cut by-pass-door track (1) 5/8" less than opening.
- center track on curb and mark location.
- place by-pass-door wall channel (5) on track, making sure track is centered on curb.
- plumb wall channel and mark installation holes on wall.

Step 3



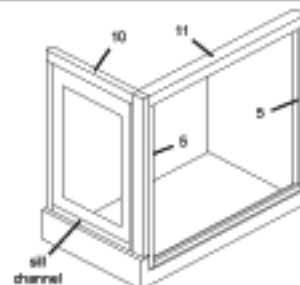
- remove all parts.
- for ceramic tile installation, use a 3/16" masonry bit for drilling installation holes and install plastic wall anchors (6).
- for fiberglass installation, use a 1/8" drill bit for drilling installation holes.
- apply sealant to underside of track where track meets wall and corner post assembly (9).
- replace track and wall channel in previous location.
- secure wall channel to wall with three #8 x 1 1/2" truss head sheet metal screws (7).
- Note:** secure bumper (8) to wall channel (5) with center installation screw.

Step 4



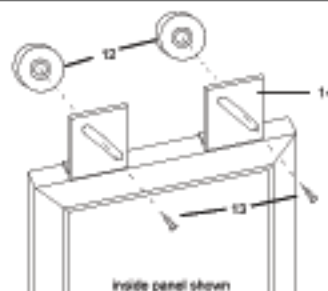
- set corner post assembly (9) onto stationary panel and over by-pass-door track.
- plumb corner post assembly to stationary panel and align stationary panel.
- secure corner post assembly to panel and panel to wall channel by drilling 3/32" holes and using #8 x 3/8" pan head sheet metal screws (28).

Step 5



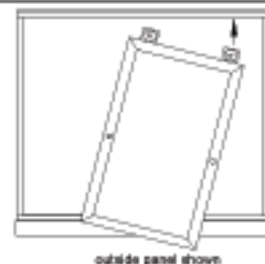
- measure at top of panel and cut panel header (10) to size.
- secure from inside of shower by drilling 3/32" holes from header into wall channels (4) and using #8 x 3/8" pan head sheet metal screws (26).
- plumb post assembly to by-pass doors.
- measure from top of wall jambs (5) and cut by-pass-door header (11) to size.
- secure from inside of shower header by drilling 3/32" holes from header into wall jambs and using #8 x 3/8" pan head sheet metal screws (26).

Step 6



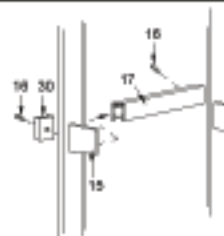
- attach roller brackets (14) to door panels with four #8 x 3/8" pan head machine screws (26).
- attach rollers (12) to brackets (14) on top of doors with four #8-32 x 3/8" pan head machine screws (SEMS) (13) as shown.

Step 7



- lift inside door into header, placing rollers down in track.
- fit panel to wall by adjusting rollers.
- Note:** Inside panel must be adjusted to the wall with the shower head.
- use the same procedure for outside door.
- install post cap (28) into corner post (27).

Step 8



- insert towel bar brackets (15) into towel bar ends (17).
- insert #8-32 x 1/2" truss head machine screw (16) through door and into towel bar (17).
- install the by-pass door stop (31) on the inside of the outside panel farthest from the shower head. It also can be installed on the outside of the inside panel next to the shower head.
- towel bar is to be attached to the outside of the outside door and to the inside of the inside door to allow the doors to pass each other freely.

Step 9

- seal inside and outside of unit at any point unit meets wall or curb.