

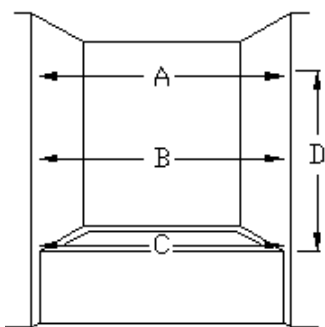
# CRAFT DISTON

## BASIC MEASURING GUIDE FOR INSTALLERS

When ordering a shower door or planning for a installation, it is important that exact measurements be taken to ensure a proper fit. The illustrations below show the most common configurations. Many other configurations are also possible, ( ex. custom enclosures, tile rise(s), special angled panel(s). etc.) but are not shown. If you are unsure about your shower-door configuration, wall(s) or tile rise(s), please contact the nearest seller or installer of Craft Diston products. They will measure and properly install your tub or shower enclosure. If you are an installer and are unsure about your configuration or have questions, please contact the factory and a customer service representative will be glad to help you.

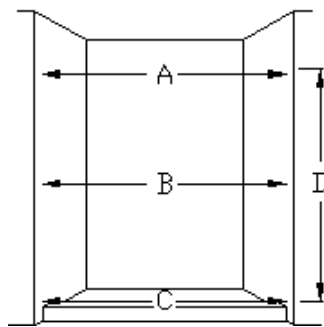
It is important that **center-line measurements** be taken when measuring a tub or shower door opening. Also note if the walls are **out-of-plumb** or the vertical walls are not straight. This information is necessary to make sure you get proper fit. Some doors can accommodate up to 2" of adjustment, some allow for up to 1", while others are built for an exact fit. So it is important that you take accurate measurements. After you're done measuring, please recheck you measurements to make sure they are accurate. This will help you avoid future problems.

### Tub ENCLOSURES



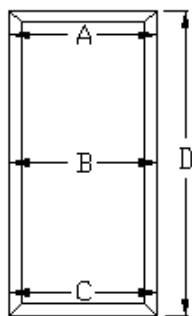
A= \_\_\_\_\_  
 B= \_\_\_\_\_  
 C= \_\_\_\_\_  
 D= \_\_\_\_\_  
 Shower Head  
 L \_\_\_ R \_\_\_

### SHOWER ENCLOSURES



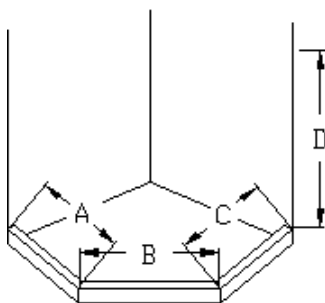
A= \_\_\_\_\_  
 B= \_\_\_\_\_  
 C= \_\_\_\_\_  
 D= \_\_\_\_\_  
 Shower Head  
 L \_\_\_ R \_\_\_

### SINGLE SHOWER STALL



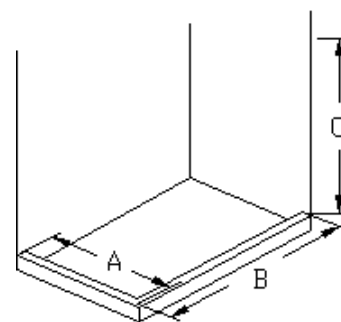
A= \_\_\_\_\_  
 B= \_\_\_\_\_  
 C= \_\_\_\_\_  
 D= \_\_\_\_\_  
 Door Hinge  
 L \_\_\_ R \_\_\_

### NEO-ANGLE ENCLOSURES



A= \_\_\_\_\_  
 B= \_\_\_\_\_  
 C= \_\_\_\_\_  
 D= \_\_\_\_\_  
 Door Hinge  
 L \_\_\_ R \_\_\_

### 90 DEGREE SHOWER ENCLOSURES



A= \_\_\_\_\_  
 B= \_\_\_\_\_  
 C= \_\_\_\_\_  
 Door Hinge  
 L \_\_\_ R \_\_\_