

*Craft* **Diston** *Ind.*

DC Series Mirrored  
Closet Door

INSTALLATION  
INSTRUCTIONS

MODEL NUMBERS

DC SERIES

To install your mirrored closet door, you will need the following:

- level
- 3/16" drill bit
- phillips screwdriver

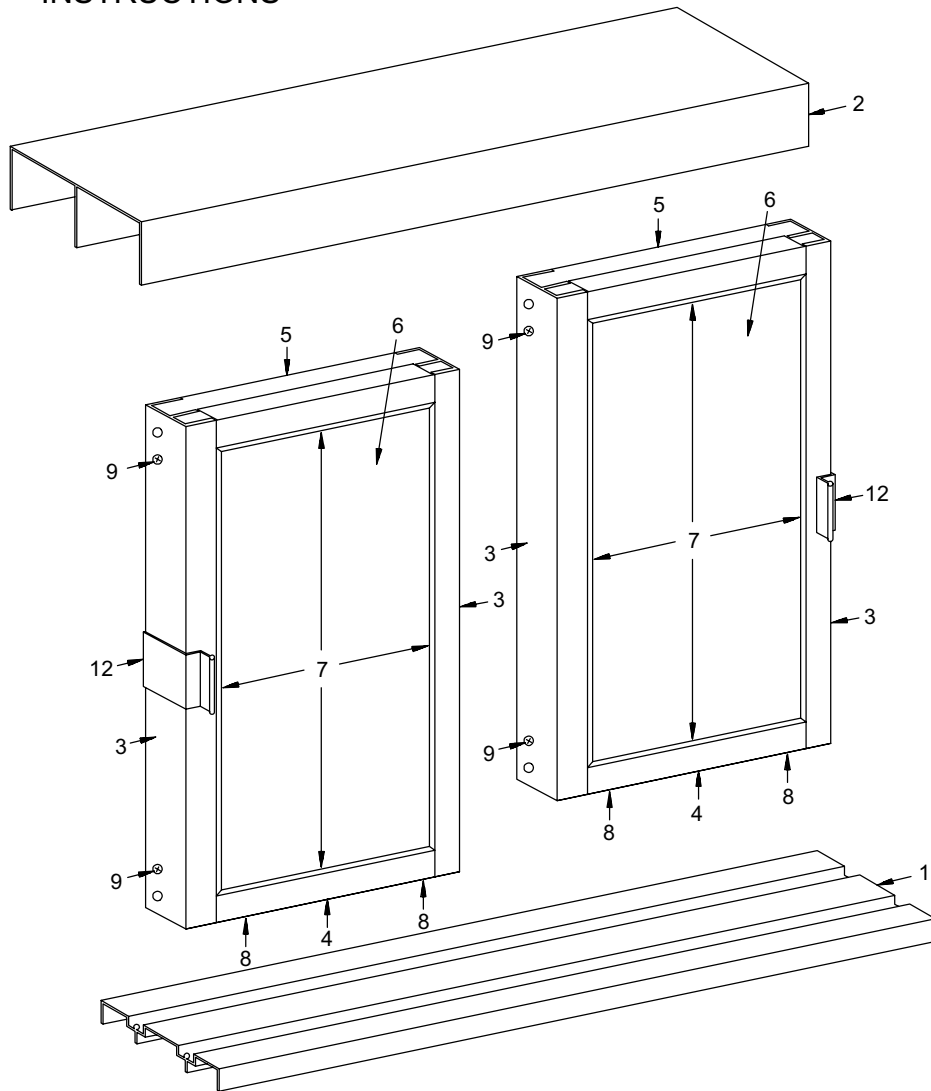
**GLAZED**  
includes 1/8" (3.175 mm)  
or 5/32" (3.968 mm)  
CAT. II tape back mirror



**KD**  
does not include  
mirror

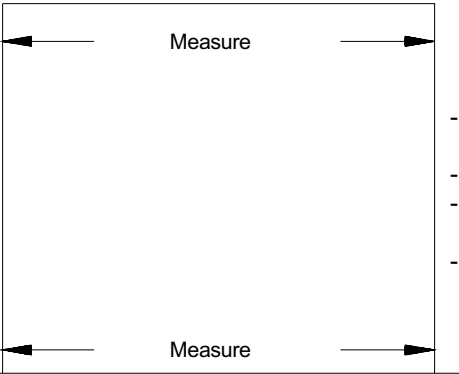


**NOTE:** K.D. units include all metal parts and hardware, but do not include mirror.



DESCRIPTION	QTY.	PART #	
1. Track	1	CFM-105	
2. Header	1	CFM-104A	
3. Framed Stile or Frameless Stile	4 or 4	CFM-102 or CFM-103	
4. Bottom mirror frame	2	CFM-101	
5. Top mirror frame (machined size with felt)	2	CFM-100	
6. Mirror glass	2		
7. Glazing vinyl	32 ft.		
8. Roller assemblies	4	D4215	
9. #8 x 1 1/2" FH SMS	16	401	
10. Wall anchor	6	NO240	
11. Bumpers	8	SJ-5312	
12. Handle	2	BE-3711	
13. #8 x 1" PH SMS	8	300	

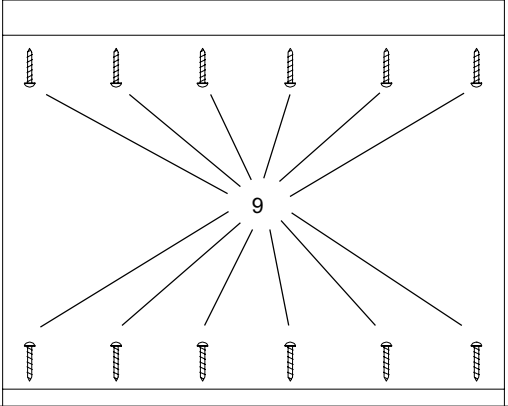
### STEP 1



Measure

- measure at bottom of closet the wall to wall opening.
- cut track (1) 1/16" less than opening width.
- measure at top of closet the wall to wall opening.
- cut header (2) 1/16" less than opening width.

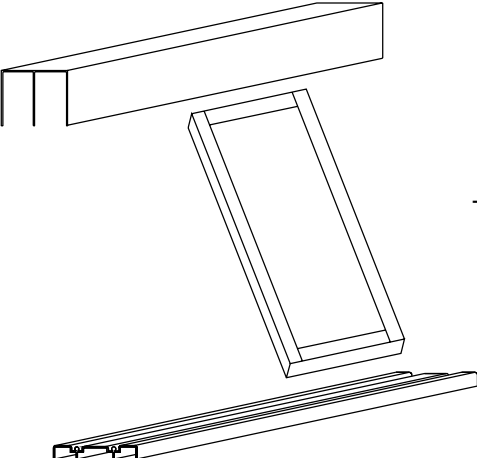
### STEP 2



9

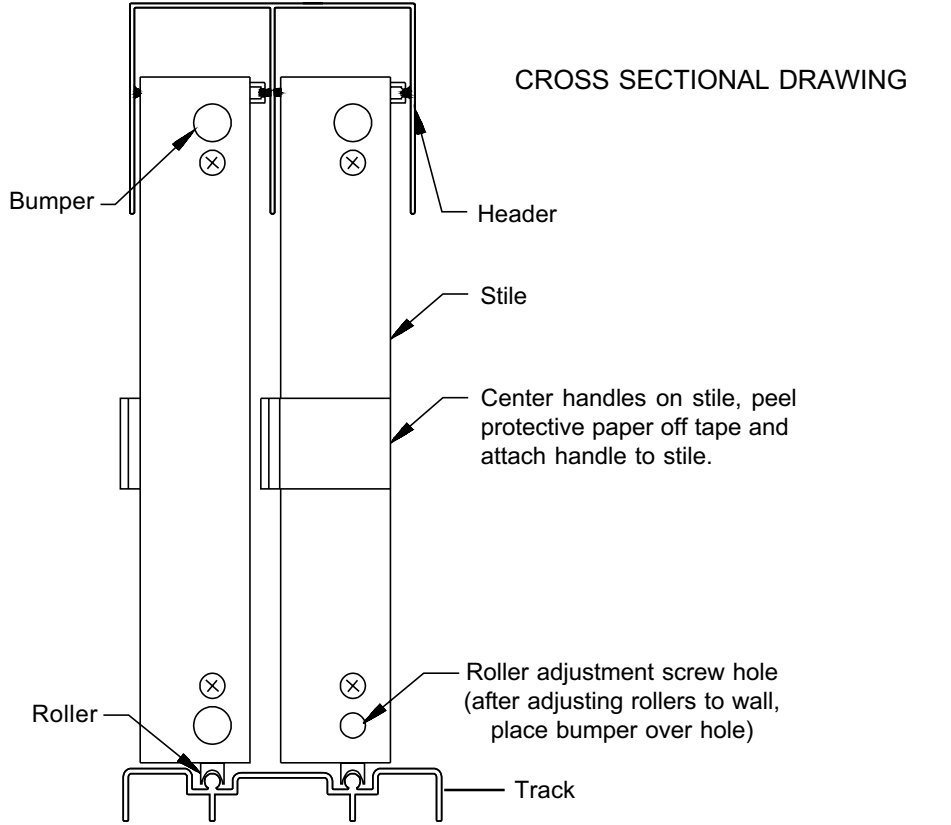
- Align header and track to outside edge of opening.
- secure header and track with #8 x 1 1/2" flat head sheet metal screws

### STEP 3



- install rear door first by placing mirror panel up into top header track and then lower onto bottom track making sure rollers are on ridge

### CROSS SECTIONAL DRAWING



Bumper

Header

Stile

Center handles on stile, peel protective paper off tape and attach handle to stile.

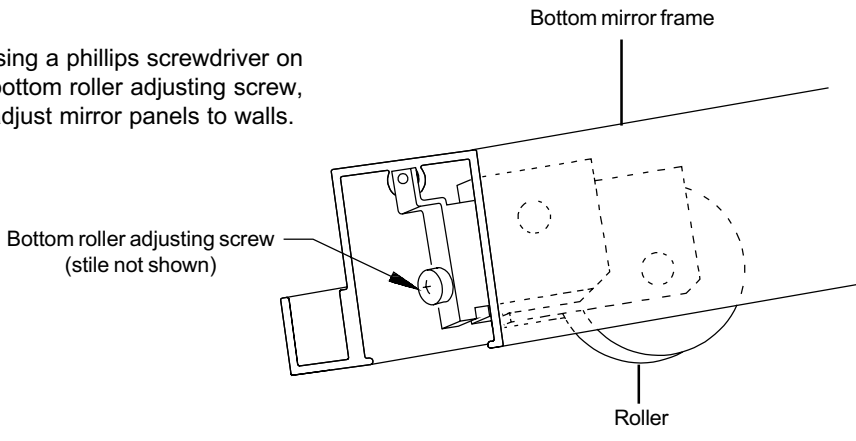
Roller adjustment screw hole (after adjusting rollers to wall, place bumper over hole)

Roller

Track

### STEP 4

- using a phillips screwdriver on bottom roller adjusting screw, adjust mirror panels to walls.



Bottom mirror frame

Bottom roller adjusting screw (stile not shown)

Roller