

# CRAFT DISTON

## Biscayne Series Tub/Shower Enclosure

### INSTALLATION INSTRUCTIONS

#### Model Numbers

Tub Enclosure    Shower Enclosure  
880B TR            770B TR  
with tile rise

(2) by-passing doors with (1) 90° panel

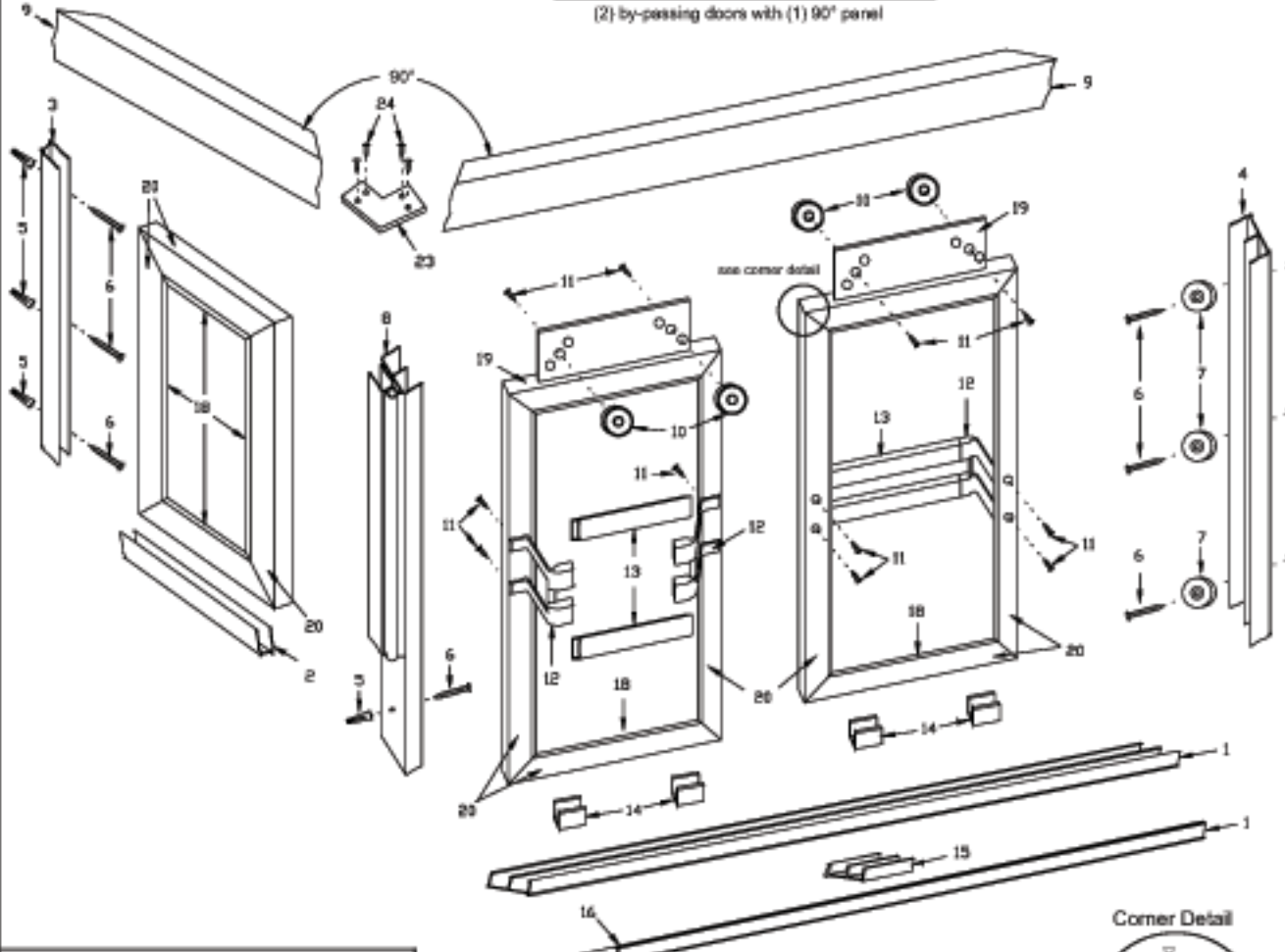
To install your shower enclosure, you will need the following:

- level
- 3/32", 1/8" and 3/16" drill bits
- phillips screwdriver
- sealant

GLAZED  
includes glass

KD  
does not  
include glass

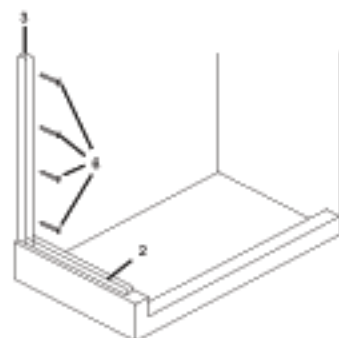
**NOTE:** K.D. units include all metal parts and hardware, but do not include glass. Glass size equals frame size less 1 1/2" in height and width.



Description	Qty.	Part #	
1. Track (part # SSI-122 used in Clean Track models)	1 or 1	SSI-64 SSI-122	
2. Sill channel	1	SSI-97	
3. Panel wall channel	1	SSI-97	
4. By-pass-door wall channel	1	SSI-90	
5. Wall anchors	7	NC240	
6. #8 x 1" TH SMS	7	300	
7. Bumpers	6	NC220	
8. Corner post assembly	1	SSI-90M97F	
9. Headers	2	SSI-226	
10. Rollers	4	NC260	
11. 8-32 x 3/8" TH MS	12	302	
12. Towel bar brackets (double)	4	212	
13. Towel bars	4	SSI-40	
14. Nylon door guides (used in Standard Track models)	4	NC230	
15. Vinyl door guide (used in Clean Track models)	1	NC261	
16. Track silencer	2	V2530	
17. Tempered glass (glazed units)	3		
18. Glazing vinyl	87 ft.		
19. Top door frames	2	SSI-75	
20. Side and bottom door frames	10	SSI-76	
21. Corner angles	12	SS252	
22. #8-32 x 1/2" FH MS	24	301	
23. Header bracket	1	SS250	
24. #6 x 3/8" PH SMS	14	205	

When Ordering Repair Parts, Please Give The Following Information:

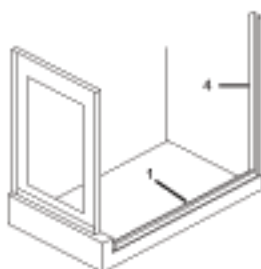
1. Part Number
2. Part Name
3. Model Number
4. Specify design, if any



## Step 1

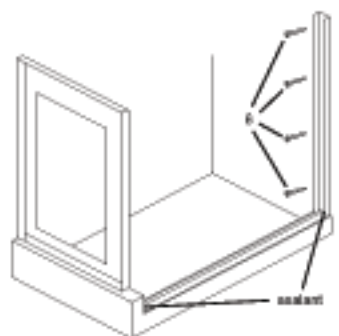
MODEL 680B / 770B TR  
with tile rise

- place panel wall channel (3) on curb next to wall where stationary panel is to be installed, making sure threshold is centered on curb.
- plumb wall channel and mark installation holes on wall.
- remove all parts.
- for ceramic tile installation, use a 3/16" masonry bit for drilling installation holes and install plastic wall anchors (5).
- for fiberglass installation, use a 1/8" drill bit for drilling installation holes.
- cut sill channel (2) 1 5/8" less than panel width.
- apply sealant to underside of sill channel (2) where channel meets wall and corner post assembly (8).



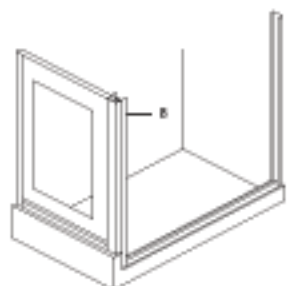
## Step 2

- replace threshold and wall channel in previous location.
- secure wall channel to wall with four #8 x 1" truss head sheet metal screws (6).
- place stationary panel into sill and wall channels.
- cut by-pass-door track (1) 3/16" less than opening.
- center track on curb and mark location.
- place by-pass-door wall channel (4) on track, making sure track is centered on curb.
- plumb wall channel and mark installation holes on wall.



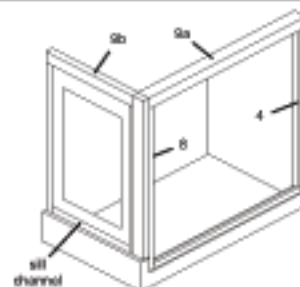
## Step 3

- remove all parts.
- for ceramic tile installation, use a 3/16" masonry bit for drilling installation holes and install plastic wall anchors (5).
- for fiberglass installation, use a 1/8" drill bit for drilling installation holes.
- apply sealant to underside of track where track meets wall and corner post assembly (8).
- replace track and wall channel in previous location.
- secure wall channel to wall with three #8 x 1" truss head sheet metal screws (6).
- Note:** secure bumpers (7) to wall channel (4) with installation screws on wall side and sealant on panel side.



## Step 4

- set corner post assembly (8) onto stationary panel and over by-pass-door track.
- plumb corner post assembly to stationary panel and align stationary panel.
- secure corner post assembly to panel by drilling 3/32" holes and using #6 x 3/8" pan head sheet metal screws (24).



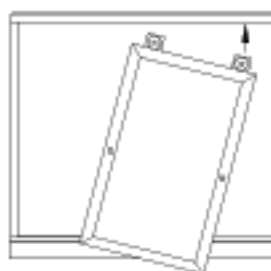
## Step 5

- secure from inside of shower by drilling 3/32" holes from header into wall channels (4) and using #6 x 3/8" pan head sheet metal screws (24).
- plumb post assembly to by-pass doors.
- measure from top of wall jamba (4 & 8) and cut by-pass-door header (9a) to size.
- measure at top of panel and cut panel header (9b) to size (centerline measurement + 1 1/16" +/- wall variance).
- secure from inside of shower header by drilling 3/32" holes from header into wall jamba and using #6 x 3/8" pan head sheet metal screws (24).



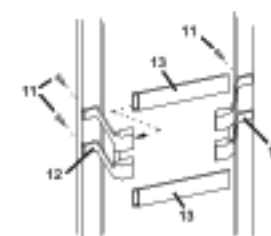
## Step 6

- attach rollers (10) to top of doors (19) with four #8-32 x 3/8" truss head machine screws (11) as shown.



## Step 7

- fit inside door into header, placing rollers down in track.
- fit panel to wall by adjusting rollers.
- Note:** inside panel must be adjusted to the wall with the shower head.
- use the same procedure for outside door.



## Step 8

- insert towel bar brackets (12) onto towel bar ends (13).
- insert #8-32 x 3/8" truss head machine screw (11) through door and into towel bar bracket (12).
- towel bar is to be attached to the outside of the outside door and to the inside of the inside door to allow the doors to pass each other freely.

## Step 9

- seal inside and outside of unit at any point unit meets wall or curb.