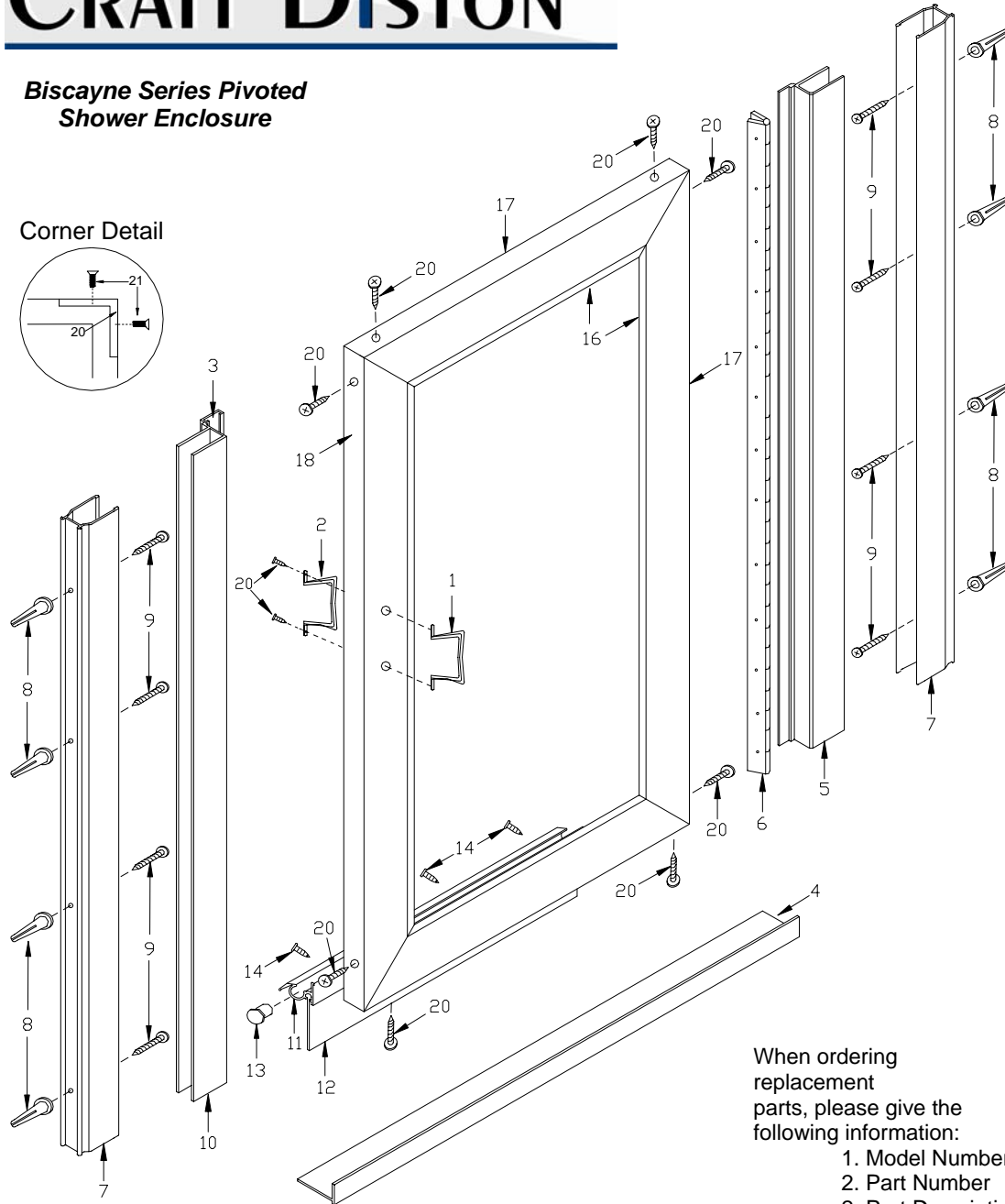
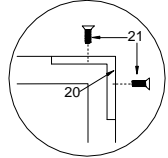


CRAFT DISTON

Biscayne Series Pivoted Shower Enclosure

Corner Detail



When ordering replacement parts, please give the following information:

1. Model Number
2. Part Number
2. Part Description
3. Color

INSTALLATION INSTRUCTIONS

Model Numbers
SHOWER ENCLOSURES
640M/700M

640M 64-3/4" Height
700M 68-3/4" Height

Description	Qty	Part #	Picture
1. Outside (male) Door Handle	1	HW8153	
2. Inside (female) Door Handle	1	HW8149	
3. Magnetic Strip	1	VL521	
4. Threshold	1	ALSSI113	
5. Hinge Jamb	1	ALSSI86	
6. Hinge	1	HW675	
7. Wall Channel	2	ALSSI97	
8. Wall Anchors	8	HWANCHOR	
9. #8x1" PH SMS Screws	8		
10. Strike Jamb	1	ALSSI141	
11. Drip Channel	1	ALCFM49	
12. Drip Channel Vinyl	1	VL1596	
13. Drip Channel Plug	11	HWNO312	
14. #6x3/8" PH SMS Screws	11		
15. Tempered Glass	1		
16. Glazing Vinyl	29	VL903	
17. Door Frame	3	ALSSI76	
18. Magnetic Glass Frame	1	ALSSI140	
19. Corner Angles	4	ALSS252	
20. #8-32x1/2" FM MS Screw	10		

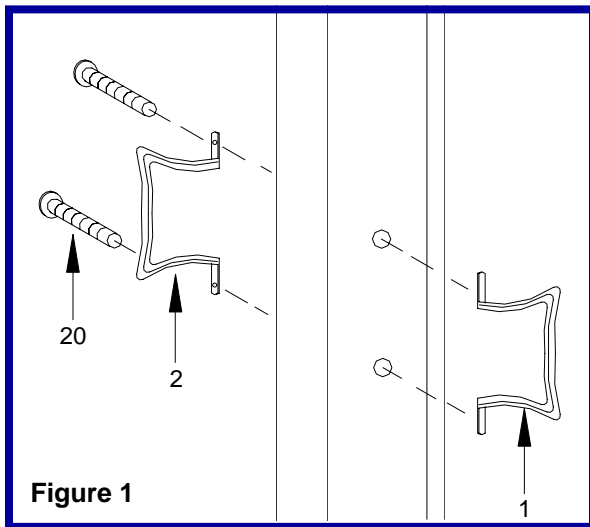


Figure 1

Step 1 – Unpack Materials

- Remove and verify all of the parts from the packaging.
- Check all parts for possible damage.
- You will need the following items to install this product:
 - Pencil
 - Silicone (GE1200-recommended)
 - Side Cutters
 - Level
 - Tape Measure
 - Hacksaw
 - Glazing Block
 - Phillips and Standard Screw Drivers
 - Drill with 3/16" , 9/64"& #31 bits (Carbide tip for tile or 3/32" bit for fiberglass walls.)
 - Hammer
- Other helpful items: -Torch Wrench -Punch -Rags

Step 2 – Install Door Handles

- Attach outside (male) door handle (1) & inside (female) door handle (2) to door with two #8-32x1/2" FH MS screws.
 - Set door assembly aside.
- Note: The inside door handle should be placed on the magnet side of the door.*

Step 3 – Prepare Opening

- This door is reversible, thus it can swing to the left or right.
 - Decide which way you would like your door to swing.
 - Measure the wall to wall opening of the shower curb.
 - Cut bottom threshold (4) 1/16" less than the opening width.
- Note: Place the high side of the threshold to the outside of the shower.*

Step 4 Install Hinge Jamb

- Set the hinge jamb on the swing side of the opening.
- Measure & cut flush with the top of the door.

Step 5 – Prepare for Wall Channel

- Measure, plumb, level and mark both sides of the tub/shower opening for the wall jambs (7).
- Set the two wall jambs in place on opposite sides of the walls. **(See Figure 4)**
- Mark the walls through the holes in the jambs located on the top and bottom and the center of the horizontal slot.
- Remove the jambs and drill 3/16" diameter holes on the marks. (For tiled walls use a carbide tip bit. For fiberglass walls, use a standard 3/32" drill bit.)
- Insert wall anchors into holes. *(If you have drilled into a stud, skip this segment.)*

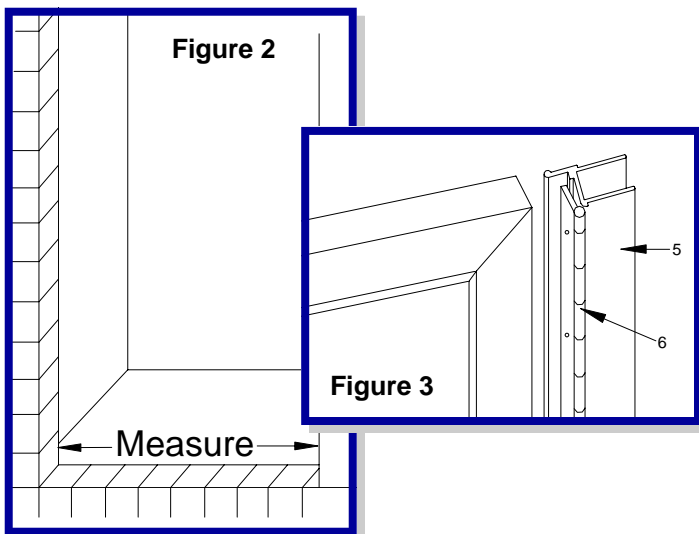


Figure 2

Figure 3

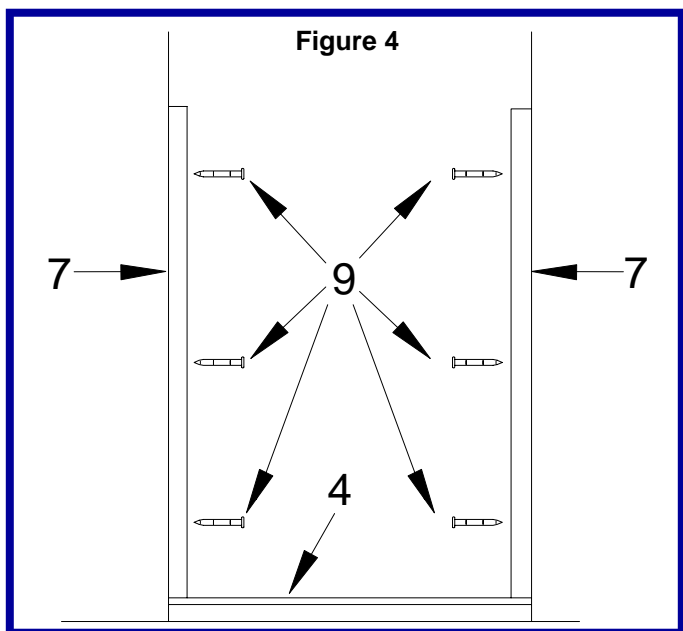


Figure 4

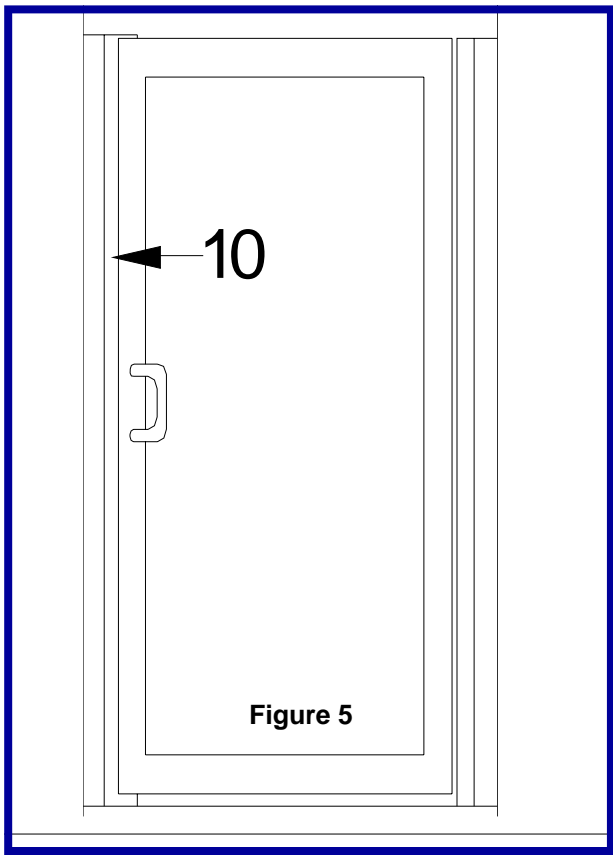


Figure 5

Step 6 – Install Wall Channel

- Remove threshold (4) & apply silicone on the bottom, on each end. Replace threshold.
- Replace the wall channels.
- Secure the channels to the wall with six #8x1" TH SMS screws.

(Note: It is important that the wall jambs are plumb. If the track does not fit flat, a slight bending of the track might be needed.)

Step 7 – Install Jambs

- Place adjustable strike jamb (10) into wall channel
- Position hinge jamb on opposite wall
- Close door against strike jamb making sure door is flush against jamb.

Step 8 – Adjust Unit

- Adjust unit to opening.
- Secure adjustable hinge and strike jamb by drilling 3/32" holes in back of wall channels.
- Secure using six #6x3/8" pan head sheet metal screws (14)

Note: If magnet does not pull door shut, reverse strike jamb magnet. Groove in magnets should not match.

Step 9 – Drip Channel

- Cut drip channel (11) 1/4" less than panel width.
 - Notch drip channel 3/4" at hinge side to allow channel to overlap hinge jamb.
 - Using a file, round off both lower corners of drip channel.
 - Insert drip channel vinyl (12) into drip channel (11) and trim to size.
 - Insert plastic drip channel plug (13) into end of drip channel.
 - With door closed, position drip channel on inside of door with a slope to the hinge side.
 - Mark the location.
 - Drill three 3/32" holes from drip channel into door.
 - Secure with three #6x3/8" PH MS screws.
- Important: holes must be drilled a minimum of 3/8" below exposed glass.*

Step 10 – Seal

- Apply silicone to the inside of tub/shower where jambs meet walls and sill meets rim of tub/shower.

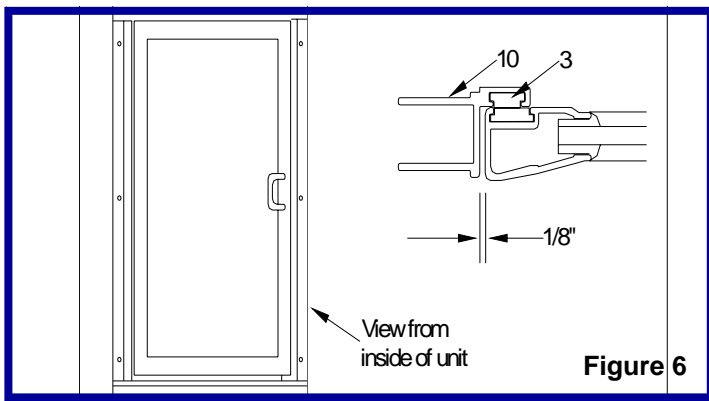


Figure 6

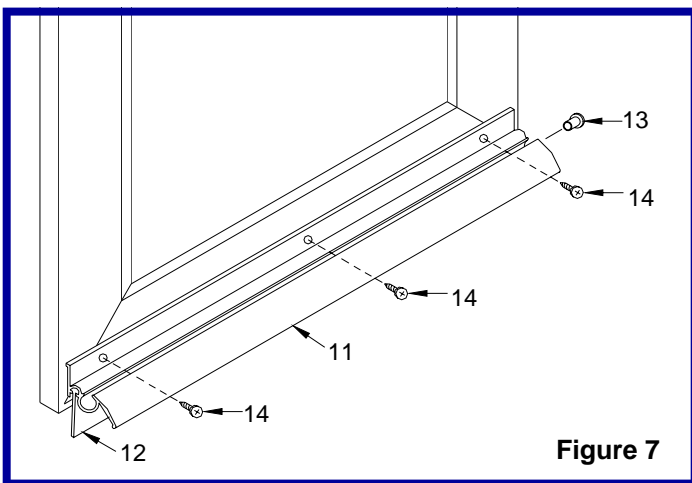


Figure 7