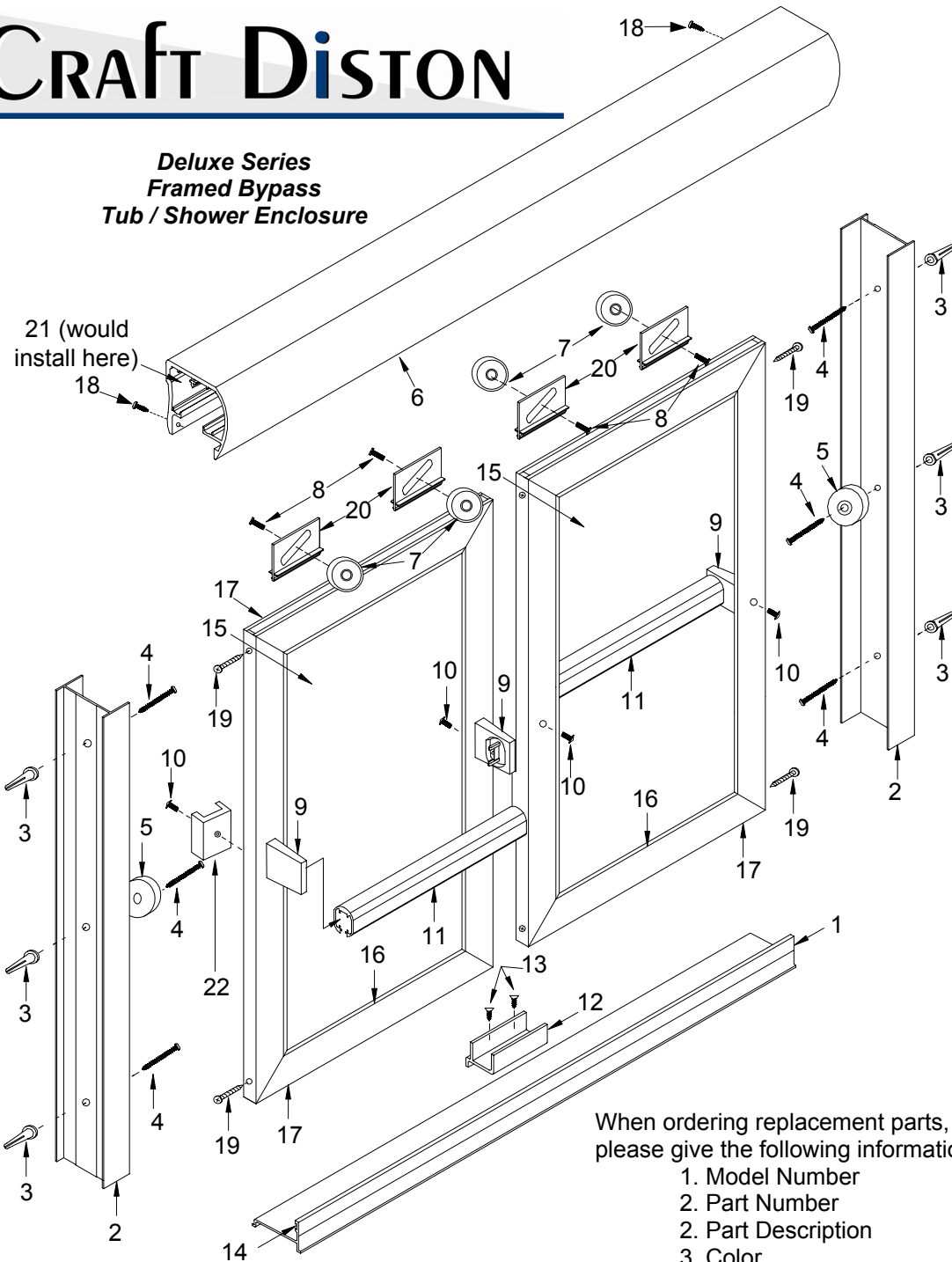


# CRAFT DISTON

## Deluxe Series Framed Bypass Tub / Shower Enclosure



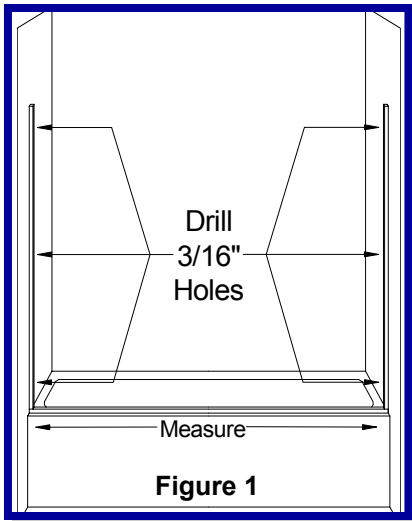
When ordering replacement parts,  
please give the following information:

1. Model Number
2. Part Number
3. Color

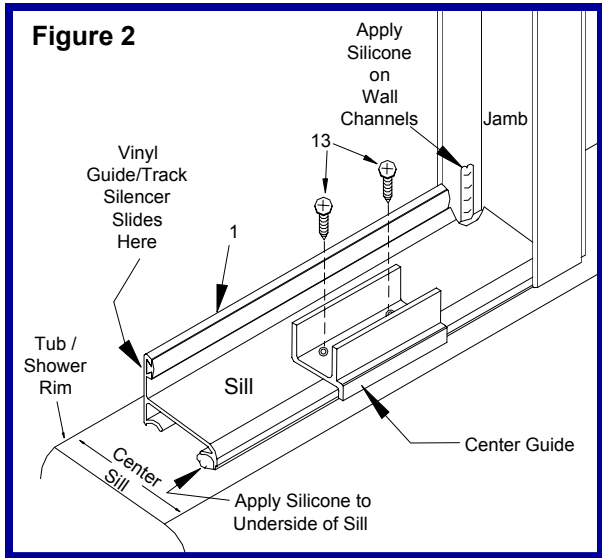
# INSTALLATION INSTRUCTIONS

**Model Numbers**  
TUB / SHOWER ENCLOSURES  
TE600 / SE600

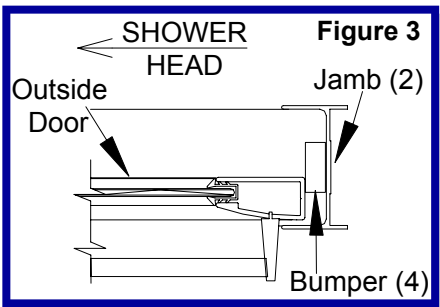
Description	Qty	Part #	Picture
1. Open Track Sill	1	ALCFM1802	
2. Wall Jambs	2	ACMFM10	
3. Wall Anchors	6	HWANCHOR	
4. 8x 1 1/2" PH SMS	6	8x 1 1/2" PH SMS	
5. Bumpers	2	HW9197	
6. Header	1	ALCFM134	
7. Rollers	4	HWBEARING	
8. 8-32x3/8" SEMS (Hex Head)	4	8-32x3/8" SEMS	
9. Towel Bar Brackets	4	HWSP2001	
10. 6-32x5/8" TH MS	4	6-32x5/8" TH MS	
11. Towel Bars	2	ALCFM82	
12. Center Guide	1	HW1032	
13. 6 x 3/8" FH SMS	2	6 x 3/8" FH SMS	
14. Track Silencer	1	VL622	
15. Tempered Glass (Glass Units)	2		
16. Glazing Vinyl	34	VL904 or VL919	
17. Door Frames	8	ALCFM901	
18. 6 x 1/2" PH SMS	2	6 x 1/2" PH SMS	
19. 7x1 1/4" FH SMS	8	7x1 1/4" FH SMS	
20. Roller Brackets	4	HWTE1213	
21. Retainer Clip (Optional)	2	VL952	
22. Door Stop	1	VL930	



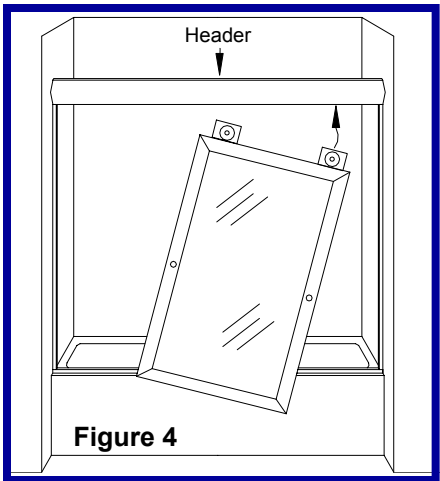
**Figure 1**



**Figure 2**



**Figure 3**



**Figure 4**

## Step 1 – Unpack Materials

- Remove and verify all of the parts from the packaging.
- Check all parts for possible damage.
- You will need the following items to install this product:
  - Pencil
  - Silicone (GE1200-recommended)
  - Masking Tape
  - Level
  - Tape Measure
  - Hacksaw
  - ¼" Box End Wrench
  - Phillips and Standard Screw Drivers
  - Drill with 3/16" & #31 bits (Carbide tip for tile or 3/32" bit for fiberglass walls.)
  - Rags
- Other helpful items:
  - Torch Wrench
  - Punch

## Step 2 – Prepare Sill

- Measure wall to wall opening on the tub/shower rim between the jambs. (**See Figure 1**)
- Cut the sill track (1) 5/8" less than opening width & center with the bottom rim width of the tub/shower ledge with high side of sill to the front. (Verify that the vinyl track silencer (14) is installed in the sill, if not simply slide it into the slot located on the sill.) (**See Figure 2**)
- Measure and mark the center of the sill.
- Center the center guide (12) on the sill. (**See Figures 5 & 7**)
- Drill the two holes through the center guides holes through the sill. (**See Figure 2**)

## Step 3 — Prepare Wall Jambs

- Measure, plumb, level and mark both sides of the tub/shower opening for the wall jambs.
- Set the two wall jambs in place on opposite sides of the walls.
- Mark the walls through the holes in the jambs located on the top and bottom and the center of the horizontal slot.
- Remove jambs & drill 3/16" diameter holes on the marks. (For tiled walls use a carbide tip bit. For fiberglass walls, use a standard 3/32" drill bit.) (**See Figure 1**)
- Insert wall anchors into holes. (*If you have drilled into a stud, skip this segment.*)

## Step 4— Install Sill & Jambs

- Run a bead of silicone the full length of the underside of the sill. (**See Figure 2**)
- Set the sill in place, press firmly to the rim of the tub/shower.
- Place the center guide back in the center of the sill and secure with #6 x 3/8" FS Screws.
- Apply silicone where the wall meets the rim of the tub/shower to seal the bottom of the jamb. (**See Figure 2**)
- Set the faucet end wall jamb in place.

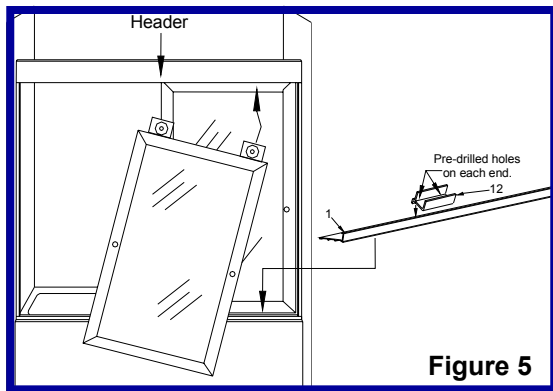
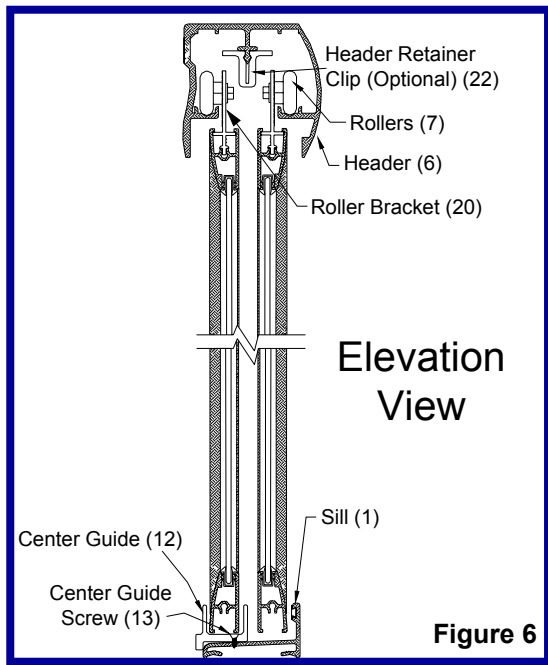


Figure 5



Elevation View

Figure 6

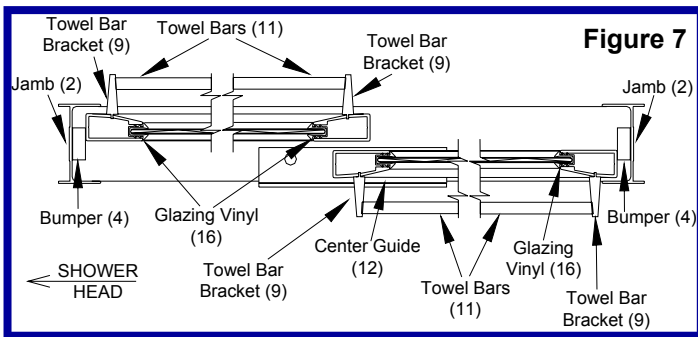


Figure 7

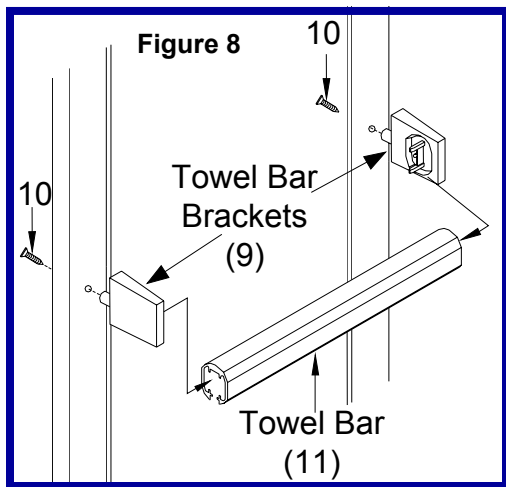


Figure 8

### Step 4 (Continued) — Install Sill & Jambs

- Place the bumper (5) over the middle hole on the jamb and secure with a #8 x 1 (4) PH SMS screw.

(See Figure's 1 & 2)

- Set the two remaining pre-drilled holes in the jamb with the same type of screw.
- Set the opposite jamb the same way.
- Clean off any excess silicone

(Important Note: Plumb the jambs, if the track does not fit flat, a slight bending of the track might be needed.)

### Step 5—Install Header

- Measure the wall to wall opening on the tub/shower rim above the jambs. (See Figure 4)
- Cut the header (6) 1/16" less than the opening
- Place the header over the jambs.

### Step 6—Install Door Panels

- Lift the inside door into the tub/shower and lift to the header.
- Insert one roller at an angle then raise the other side and insert that roller. (See Figure 4)
- This door will close against the faucet side.
- Lift the outside door glass and insert in the same manner as the inside door. (See Figure 5)
- Close the panels and adjust the vertical edge of the panels with the jambs. Adjust the inside slider as low as possible to reduce the gap between the bottom of slider and sill without dragging on the track or center guide. (Adjust rollers by loosening the screw in the roller with a 1/4" box-end wrench, without removing completely, adjust the panel by sliding the screw in the slot and re-tighten the screw.) (Note: When screws are loose, support the panel so it does not fall and break.) (See Figure 6)

### Step 7 — Secure Header

- From inside of the unit, drill #31 holes through header and into the wall jamb. Secure with a #6 x 3/8" (13) SMS screw on the each end of the header.

### Step 8 — Install Towel Bars

- Insert a towel bar bracket (9) on each end of both towel bars (11). (See Figures 7 & 8)
- Insert the post, on the bracket (9), in the pre-drilled hole in the frame & secure with a 6-32x5/8" TH MS screw (8). (The towel bar is installed on the outside of the outside door & on the inside of the inside door.
- Repeat above for opposite door.

### Step 9 – Seal

- Apply silicone to the inside of tub/shower where jambs meet walls and sill meets rim of tub/shower.