

Craft **Diston** *Ind.*

A Series Mirrored Closet Door

INSTALLATION INSTRUCTIONS

MODEL NUMBERS

A SERIES

To install your mirrored closet door, you will need the following:

- level
- 3/16" drill bit
- phillips screwdriver

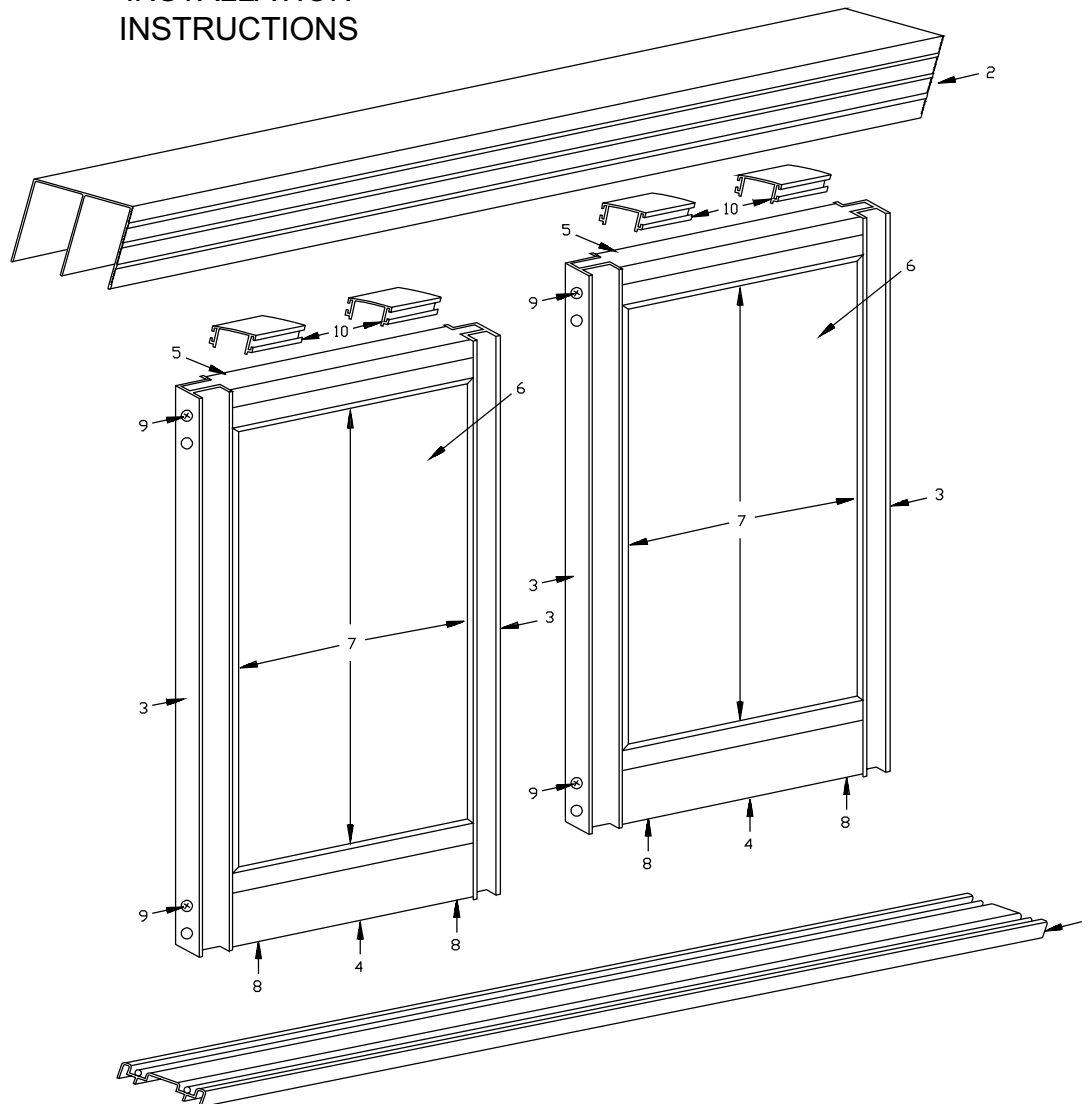
GLAZED
includes 1/8" (3.175 mm)
or 5/32" (3.968 mm)
CAT. II tape back mirror



KD
does not include mirror

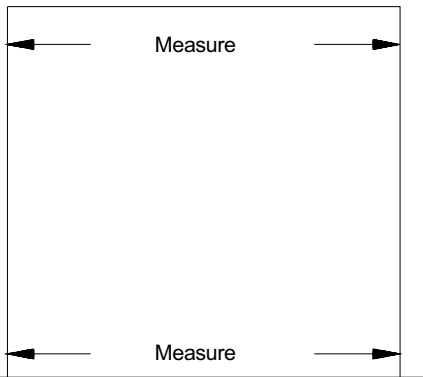


NOTE: K.D. units include all metal parts and hardware, but do not include mirror.



DESCRIPTION	QTY.	PART #	
1. Track	1	SSI-149	
2. Header	1	SSI-144	
3. Stile	4	SSI-145	
4. Bottom mirror frame	2	SSI-148	
5. Top mirror frame	2	SSI-147	
6. Mirror glass	2		
7. Glazing vinyl	32 ft.		
8. Roller assemblies	4	D4215	
9. #8 x 1 1/2" FH SMS	14	401	
10. Header guides (with felt)	4	V9109	
11. Wall anchor	6	NO240	
12. Bumpers	8	NO229	
13. #8 x 1" PH SMS	6	300	

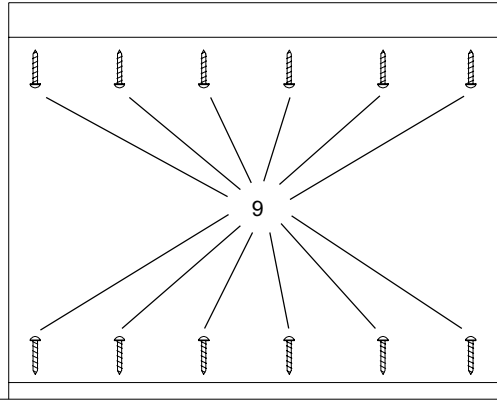
STEP 1



Measure

- measure at bottom of closet the wall to wall opening.
- cut track (1) 1/16" less than opening width.
- measure at top of closet the wall to wall opening.
- cut header (2) 1/16" less than opening width.

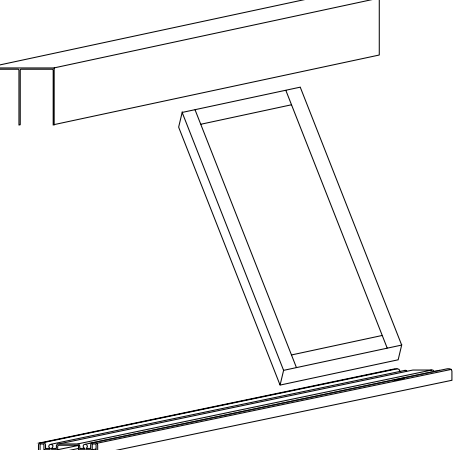
STEP 2



9

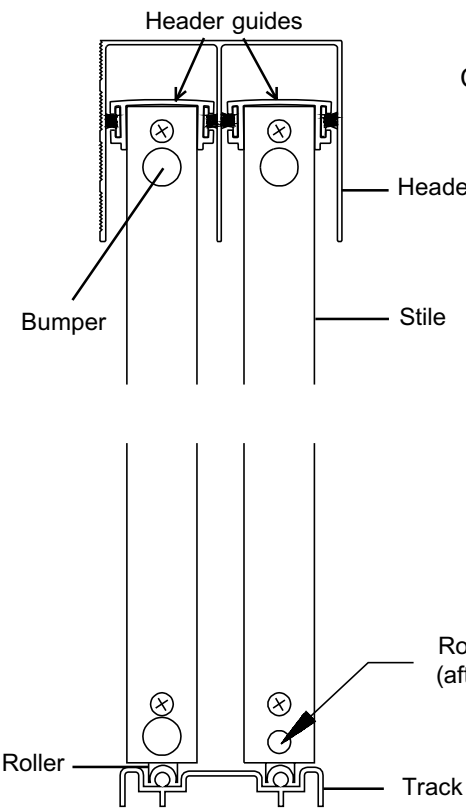
- secure header and track with #8 x 1 1/2" flat head sheet metal screws (9).

STEP 3



- install rear door first by placing mirror panel up into top header track and then lower onto bottom track making sure rollers are on ridge

CROSS SECTIONAL DRAWING



Header guides

Bumper

Header

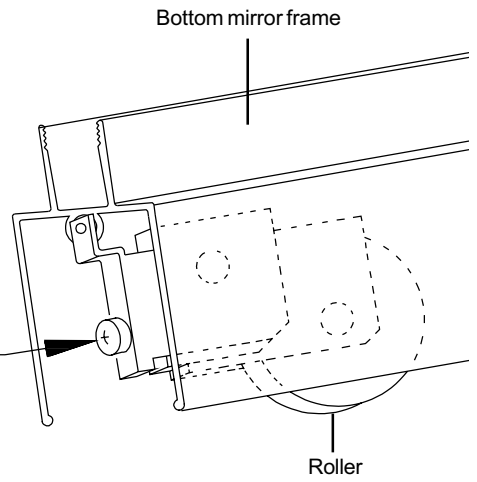
Stile

Roller adjustment screw hole
(after adjusting rollers to wall,
place bumpers in hole.)

Roller

Track

STEP 4



Bottom mirror frame

- using a phillips screwdriver on bottom roller adjusting screw, adjust mirror panels to walls.

Bottom roller adjusting screw
(stile not shown)

Roller