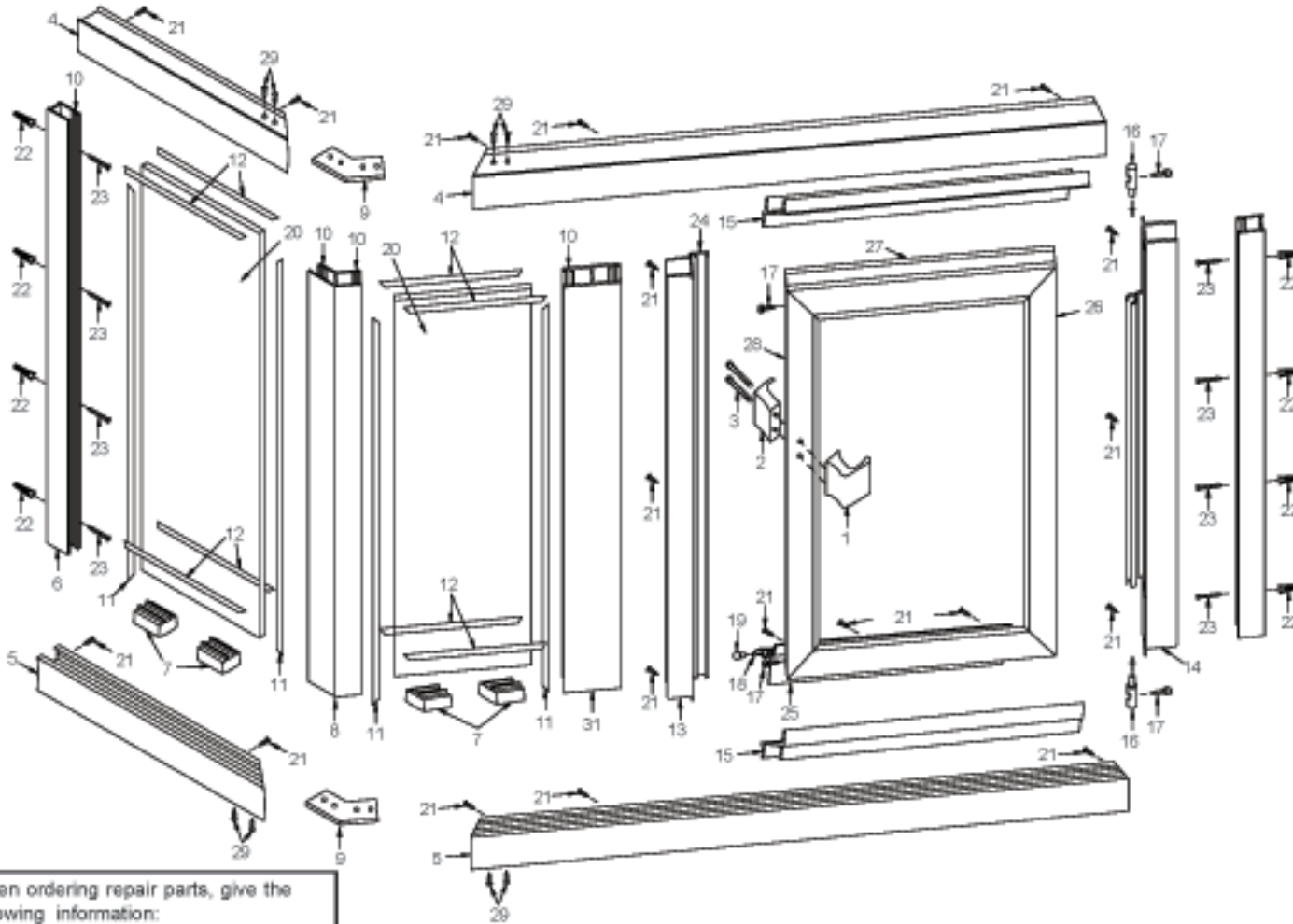


CRAFT DISTON

Model 894 Quikstik Shower Enclosure



To install your shower enclosure,
you will need the following:

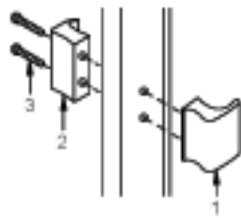
- Level
- 3/32", 9/64" and 3/16" Drill Bits
- Phillips Screwdriver
- Sealant
- Hack Saw

When ordering repair parts, give the following information:

1. Part Number
2. Part Name
3. Model Number
4. Specify design, if any

NOTE: all doors are completely reversible and may be installed hinge-left or hinge-right and can be hinged from the wall or from 135° post. These illustrations show a hinge-right door hinging from the wall. Other combinations are installed in a similar manner.

DESCRIPTION	QTY.	PART#	
1. Outside door handle	1	QS3439	
2. Inside door handle	1	QS3440	
3. #6-32 X 1 3/4" FH-SMS	2	903	
4. Headers	2	CFM-934H	
5. Sills (with weep holes)	2	CFM-634S	
6. Wall channels	2	CFM-663	
7. Setting blocks	4	QS9110VL	
8. 135° posts	1	CFM-956	
9. 135° angles	2	PP251	
10. Inside vertical vinyls	4	QS8037VL	
11. Outside vertical vinyls	4	QS3114VL	
12. Inside and outside horizontal vinyls	8	QS194VL	
13. Strike jamb	1	CFM-654	
14. Hinge jamb	1	CFM-908	
15. Thresholds	2	CFM-902	
16. Hinge pins	2	EHB-1	
17. #7 x 1 1/4" FH SMS	4	7125	
18. Drip channel	1	CFM-49	
19. Drip channel plug	1	DP-312	
20. Glass panels	3		
21. #6 x 1/2" FH SMS	19	310	
22. Wall anchors	8	NC240	
23. #8 x 1 1/2" CH SMS	8	903	
24. Magnetic strips	2	M1354	
25. Drip channel vinyl	1	V9038	
26. Hinge glass frame	1	CFM-907	
27. Horizontal glass frames	2	CFM-910	
28. Magnetic glass frame	1	CFM-983	
29. #8 x 1/2" PH SMS	8	306	
30. H mullion	1	CFM-903	
31. Glazing vinyl	17'		



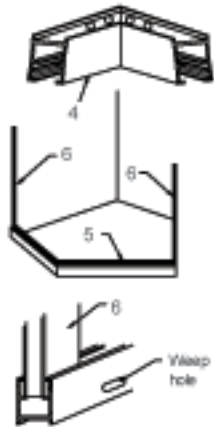
Step 1

Model 894

Assemble door handles

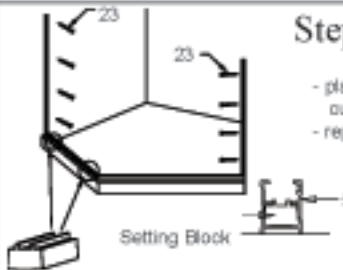
- attach outside door handle (1) and inside door handle (2) to door with two #6-32 x 1 3/4" flat head machine screws (3). (The inside door handle should be placed on the magnet side of the door.)

Step 2



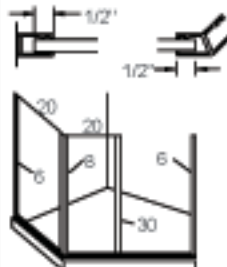
- cut headers (4) and sills (5) to size (centerline measurement + 1/4" to long point of miter +/- wall variance.)
- assemble the two sills (5) and headers (4) by inserting the 135 degree angle (9) into mitered end.
- secure 135 degree angle with four #8 x 1/2" pan head sheet metal screws (29).
- insert two setting blocks (7) into each sill (5). (Glass will be placed on setting blocks.)
- place sill on center of curb with weep holes to inside of shower.
- set wall channels (6) firmly on sill (5) next to wall. Make sure wall channel with vinyl is installed on the wall that will receive the glass panel and vinyl is to inside of shower.
- plumb and mark installation holes on wall.
- remove all parts.
- for ceramic tile installation, use a 3/16" masonry bit for drilling installation holes and install plastic wall anchors (22).
- for fiberglass walls, drill 9/64" holes.

Step 3



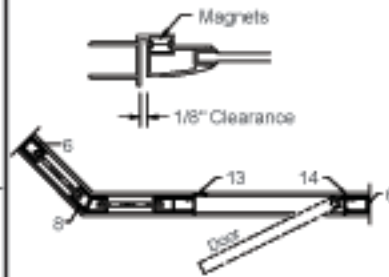
- place a bead of sealant on each end of curb under threshold location.
- replace sill (5) in previous location.
- replace wall channels (6) and secure to wall with eight #8 x 1 1/2" pan head sheet metal screws (23).

Step 4



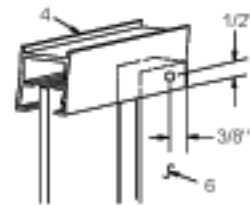
- set the 135 degree glass panel (20) into position. Setting blocks (7) should be positioned approximately 2" from each corner of glass.
- place the 135 degree post (8) into position with vinyl over glass and to the inside of shower. The glass will penetrate wall channel and 135 degree post approximately 1/2".
- set the in-line panel glass (20) into position. Setting blocks (7) should be positioned approximately 2" from each corner of glass.
- place H mullion (30) into position with vinyl over glass and to the inside of shower. The glass will penetrate H mullion approximately 1/2".

Step 5

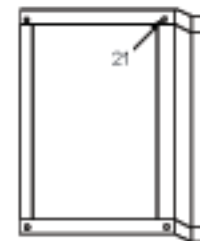


- position strike jamb (13) over H mullion (30) with long side to inside of shower.
- position hinge jamb (14) with door on the wall channel (6).
- close door against strike jamb making sure door is flush against jamb and align door to opening.
- Note:** if magnet does not pull door shut, reverse strike jamb magnet. Groove in magnet should match.

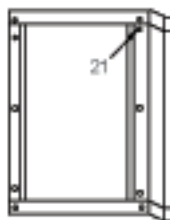
Step 6



- place header (4) over wall channels (6), 135 degree post (8) and H mullion. If headers are out correctly, post will be plumb.)
- from inside unit, secure header and sill to wall channels, H mullion and 135 degree post by drilling 3/32" holes from inside of header into wall channels, H mullion and 135 degree post as shown.
- IMPORTANT:** note the location of glass before drilling, the drill bit must not hit the glass.
- secure with #6 x 1/2" pan head sheet metal screws (21).

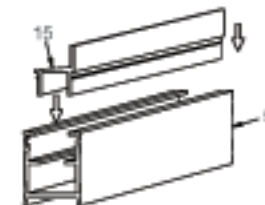


Step 7



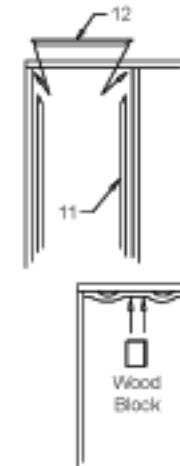
- align unit to opening
- from inside unit, secure strike jamb (13) to H mullion (30) and hinge jamb (14) and door wall channel (6) by drilling 3/32" holes approximately 3/8" from each end and in the center.
- secure with #6 x 1/2" pan head sheet metal screws (21).

Step 8



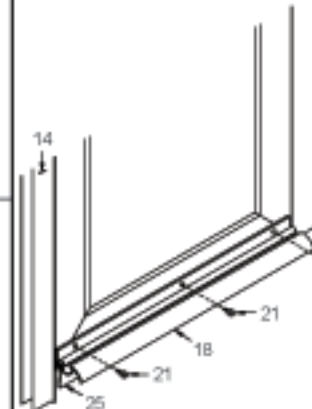
- measure between hinge (14) and strike (13) jambs and cut both thresholds to size.
- with high side of threshold (15) to outside, snap threshold into header (4) and sill (5).

Step 9



- check panel glass alignment and install outside vertical wedge (11).
- NOTE:** a lubricant such as WD-40 or hand lotion can be used to assist wedge vinyl installation. A block of wood is helpful for installing wedge vinyl.
- cut horizontal wedge vinyl (12) slightly longer than needed (approx. 1/8") and at a 45 degree angle.
- install inside and outside horizontal wedge vinyl into header and sill by starting vinyl at each end, then work from center to each end.

Step 10



- insert drip channel vinyl (25) into drip channel (18) and trim to size.
- insert plastic drip channel plug (19) into end of drip channel.
- with door closed, position drip channel on inside of door with a slope to the hinge side (14).
- mark the location, then clean door thoroughly with rubbing alcohol
- peel protective cover off of double face tape and install drip channel to inside of door.
- drill three 3/32" holes from drip channel into door.
- IMPORTANT:** holes must be drilled a minimum of 1/2" below exposed glass.
- secure with three #6 x 1/2" pan head sheet metal screws (21).

Step 11

- seal inside and outside of unit at any point unit meets wall and curb.