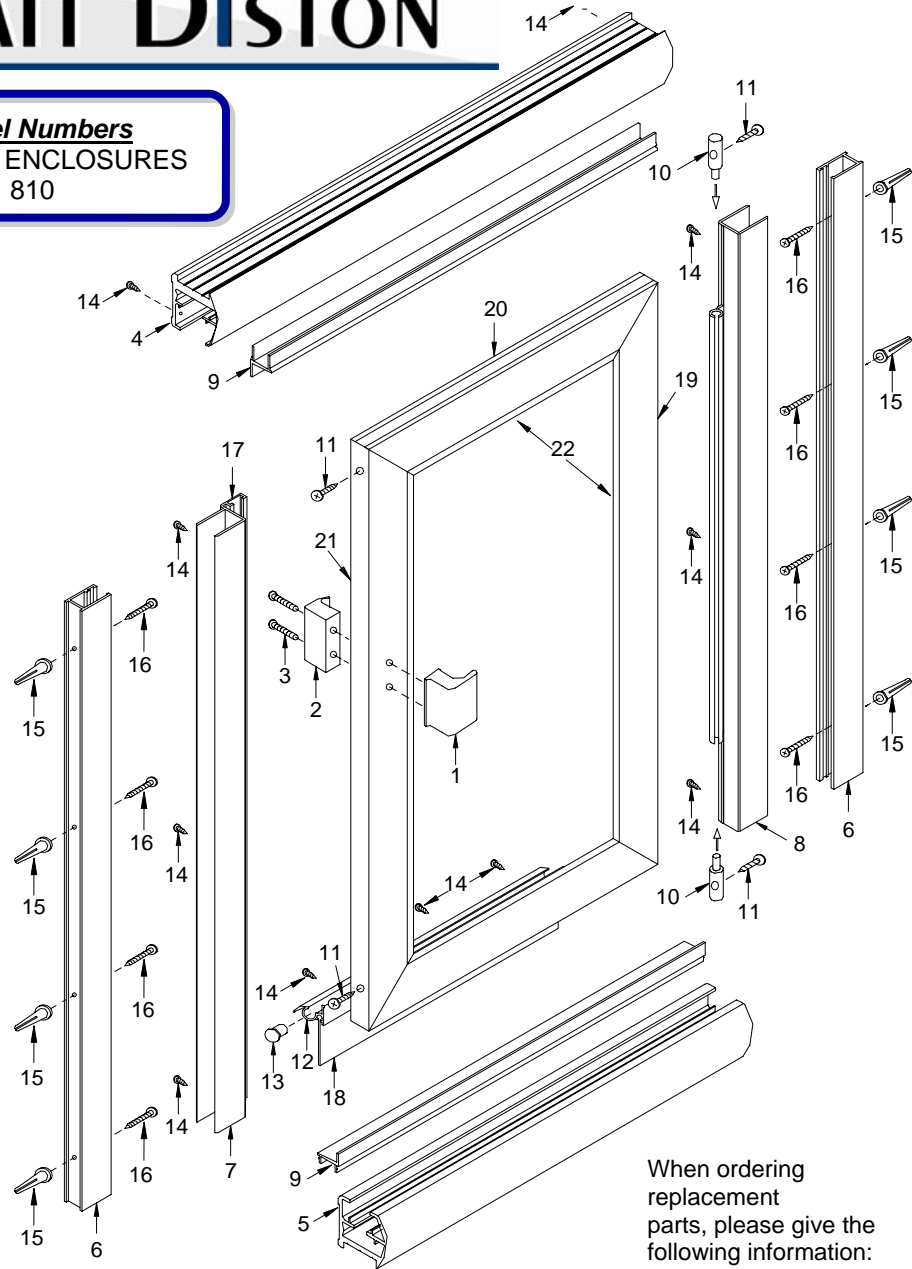


# CRAFT DISTON

**Model Numbers**  
SHOWER ENCLOSURES  
810



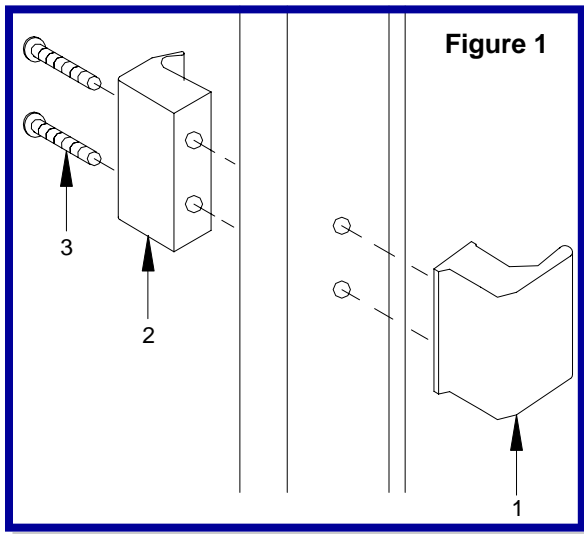
When ordering replacement parts, please give the following information:  
1. Model Number  
2. Part Number  
2. Part Description  
3. Color

## INSTALLATION INSTRUCTIONS

**Deluxe Series Hinged Shower Enclosure**

71-3/8" Height  
75-3/8" Height

Description	Qty	Part #	Picture
1. Outside Door Handle	1	HW3439	
2. Inside Door Handle	1	HW3440	
3. #6-32x1-3/4" FH MS Screws	2		
4. Header	1	ALCFM111 (PS1810)	
5. Sill (with weep holes)	1	ALCFM111 (PS1810)	
6. Wall Channels	2	ALCFM953	
7. Strike Jamb	1	ALCFM980	
8. Hinge Jamb	1	ALCFM117	
9. Thresholds	2	ALCFM984	
10. Hinge Pins	2	HWEHB1	
11. #7x1-1/4" FH SMS Screws	4		
12. Drip Channel	1	ALCM49	
13. Drip Channel Plug	1	HWNO312	
14. #6x1/2" PH SMS Screws	11		
15. Wall Anchors	8	HWANCHOR	
16. #8x1-1/2" OH SMS Screws	8		
17. Magnetic Strips	2	VL521	
18. Drip Channel Vinyl	1	VL1596	
19. Hinge Glass Frame	1	ALCFM907	
20. Horizontal Glass Frames	2	ALCFM910	
21. Magnetic Glass Frame	1	ALCFM113	
22. Glazing Vinyl	17'	VL903	
23. Hinge Bushing	2	HWEHB2	

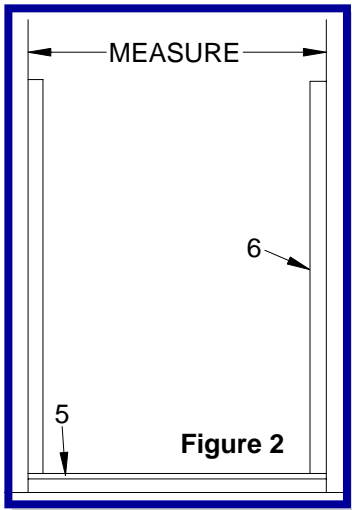


### Step 1 – Unpack Materials

- Remove and verify all of the parts from the packaging.
- Check all parts for possible damage.
- You will need the following items to install this product:
  - Pencil
  - Silicone (GE1200-recommended)
  - Side Cutters
  - Level
  - Tape Measure
  - Hacksaw
  - Glazing Block
  - Phillips and Standard Screw Drivers
  - Drill with 3/16" , 9/64"& #31 bits (Carbide tip for tile or 3/32" bit for fiberglass walls.)
  - Hammer
- Other helpful items: -Torch Wrench -Punch -Rags

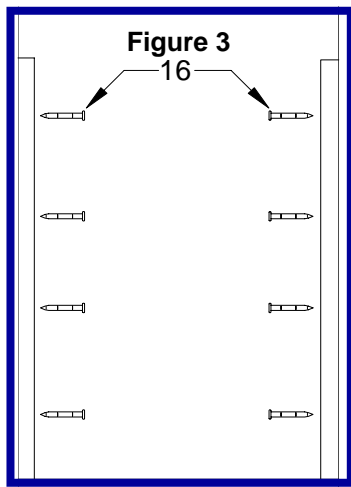
### Step 2 – Install Door Handles

- Attach outside door handle (1) & inside door handle (2) to door with two #6-32x1-3/4" FH MS screws (3).
  - Set door assembly aside. **(See Figure 1)**
- Note: The inside door handle should be placed on the magnet side of the door.*



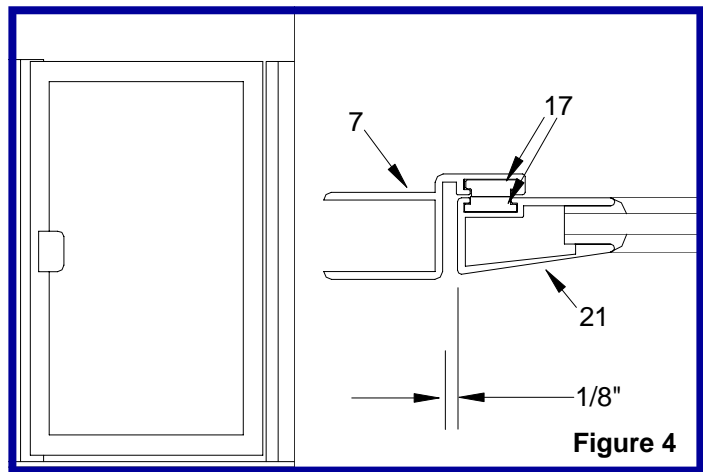
### Step 3 – Prepare Opening

- Measure the wall to wall opening of the shower curb.
- Cut sill (5) 1/16" less than the opening width.
- Place sill on center of curb with weep holes to inside of shower.
- Set wall channels (6) firmly on sill (5) & each side of wall.
- Plumb & mark installation holes on wall. **(See Figure 2)**
- Remove all parts
- For ceramic tile installation, use a 3/16" masonry bit for drilling installation holes & install plastic wall anchors (16)
- For fiberglass installation, use a 9/64" drill bit for drilling installation holes.



### Step 4— Install Sill & Channels

- Place a bead of sealant on each end of curb under threshold location. **(See Figure 3)**
- Replace sill (5) in previous location.
- Replace wall channels (6) & secure to wall with eight #8x1-1/2" PH SMS screws (16).



### Step 5— Install Jambs

- This door is reversible & can swing to the right or left. Decide which way you wish your door to swing.
- Position strike jamb (7) over wall channel (6) with long side to inside of shower.
- Position hinge jamb (8) with door on opposite wall channel (6). **(See Figure 4)**

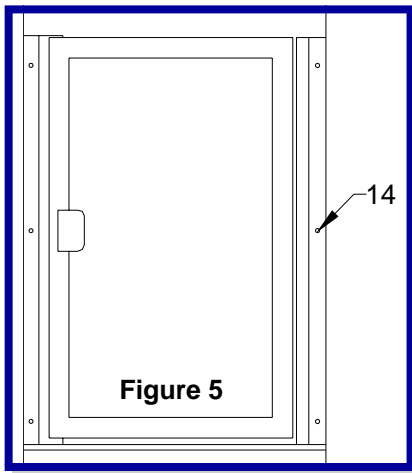


Figure 5

### Step 5—(Continued)

- Close door against strike jamb, making sure door is flush against jamb and align door to opening.

*Note: If magnet does not pull door shut, reverse strike jamb magnet. (Groove on each magnet should match.)*

### Step 6 – Secure Jamb

- From inside the shower, secure strike jamb (7) to wall channel by drilling  $3/32$ " holes approximately  $3/8$ " from each end & in the center.
- Secure with #6x $1/2$ " PH SMS screws (14).
- Secure hinge jamb (8) to wall channel (6) by drilling  $3/32$ " holes approximately  $3/8$ " from each end and in the center. **(See Figure 5)**
- Secure with #6x $1/2$ " PH SMS screws (14).

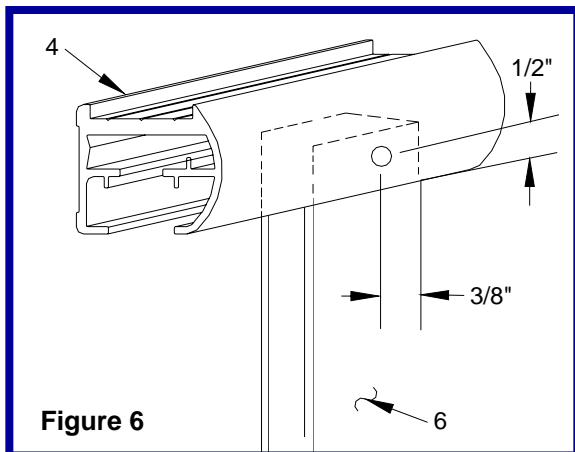


Figure 6

### Step 7 – Install Header

- Place header (4) over wall channels (6) **(See Figure 6)**.
- Secure header to wall channels by drilling  $3/32$ " holes from inside of header into wall channels as shown.
- Secure with two #6x $1/2$ " PH SMS screws (14).

### Step 8 – Install Threshold

- With high side of thresholds (9) to outside, snap thresholds into header (4) & sill (5). **(See Figure 7)**

### Step 9 – Drip Vinyl Installation

- Insert drip channel vinyl (18) into drip channel (12) & trim to size. (See Figure 8)
  - Insert plastic drip channel plug (13) into end of drip channel.
  - With door closed, position drip channel on inside of door with a slope to the hinge side (8).
  - Mark the location, then clean door thoroughly with rubbing alcohol.
  - Peel protective cover off of double face tape & install drip channel to inside of door.
  - Drill three  $3/32$ " holes from drip channel into door.
- Important:** holes must be drilled a minimum of  $1/2$ " below exposed glass.
- Secure with three #6x $1/2$  PH SMS (14).

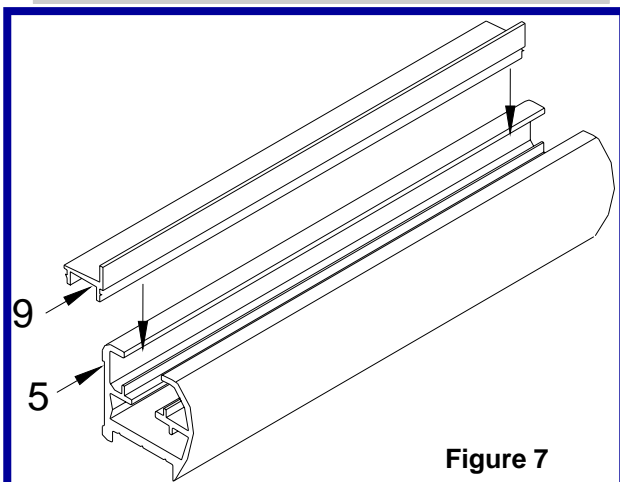


Figure 7

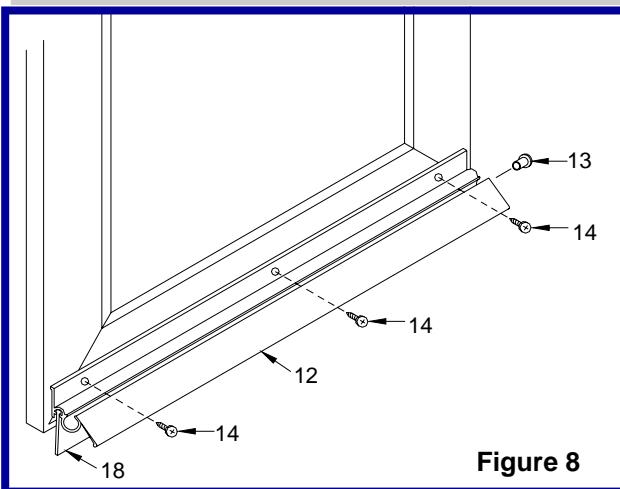


Figure 8

### Step 10 – Seal

- Apply silicone to the inside of tub/shower where jambs meet walls and sill meets rim of tub/shower.