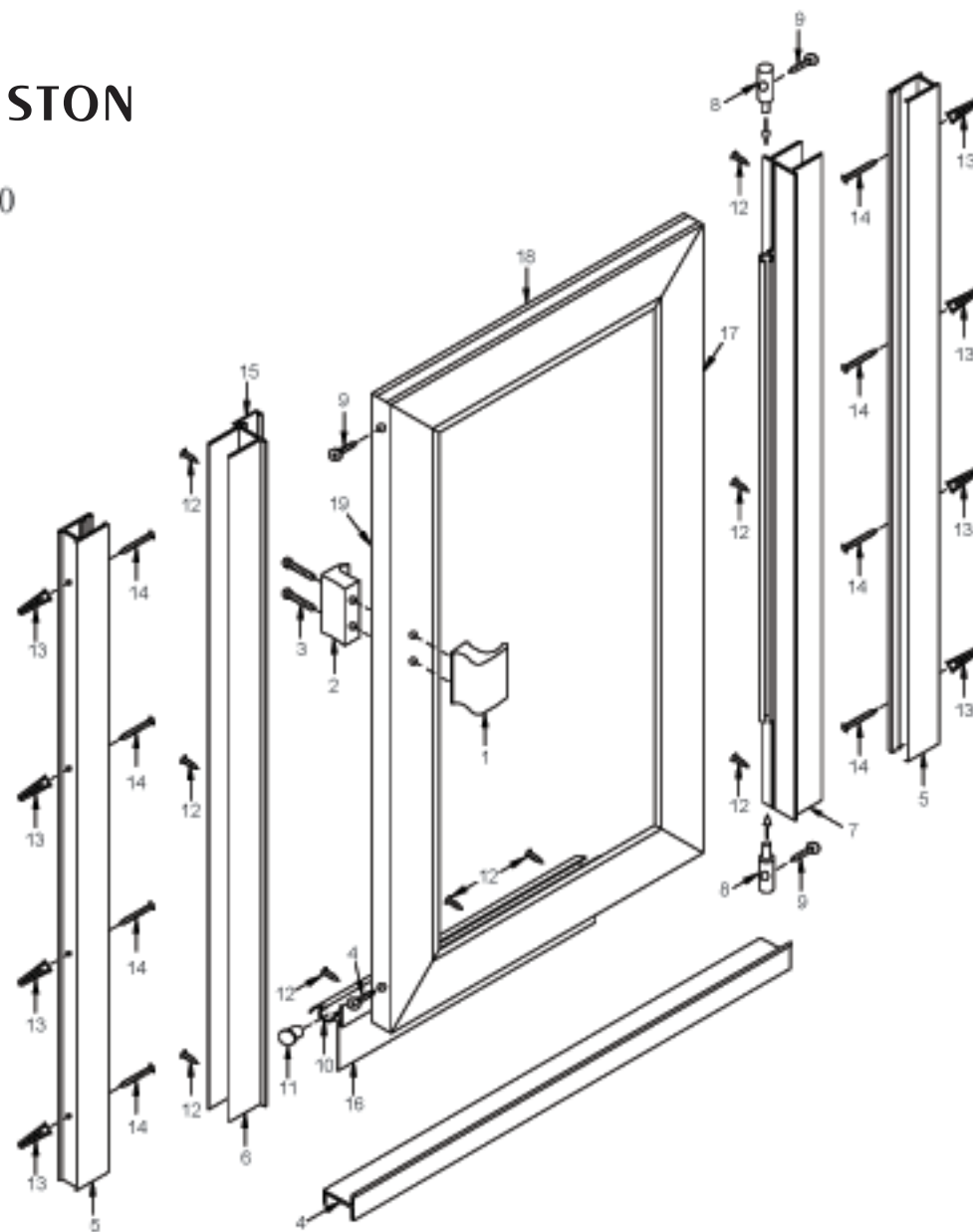


CRAFT DISTON

Model 320 / 330 Deluxe Shower Door



NOTE: all doors are completely reversible and may be installed hinge-left or hinge-right. These illustrations show a hinge-right door hinging from the wall jamb. Other combinations are installed in a similar manner.

To install your shower enclosure, you will need the following:

- Level
- 3/32", 9/64" and 3/16" Drill Bits
- Phillips Screwdriver
- Sealant
- Hack Saw

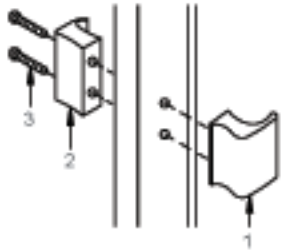
DESCRIPTION	QTY.	PART#	
1. Outside door handle	1	QS3439	
2. Inside door handle	1	QS3440	
3. #6-32 x 1 3/4" FHMS	2	903	
4. Sill	1	CFM-70	
5. Wall channels	2	CFM-663	
6. Strike jamb	1	CFM-954	
7. Hinge jamb	1	CFM-908	
8. Hinge pins	2	EHB-1	
9. #7 x 1 1/4" FH SMS	4	7125	
10. Drip channel	1	CFM-49	
11. Drip channel plug	1	DP-312	
12. #6 x 1/2" PH SMS	11	310	
13. Wall anchors	8	NC240	
14. #8 x 1 1/2" CH SMS	8	902	
15. Magnetic strips	2	M1354	
16. Drip channel vinyl	1	V1596	
17. Hinge glass frame	1	CFM-907	
18. Horizontal glass frames	2	CFM-910	
19. Magnetic glass frame	1	CFM-983	
20. Glazing vinyl	17'		

When ordering repair parts, give the following information:

1. Part Number
2. Part Name
3. Model Number
4. Specify design, if any

Step 1

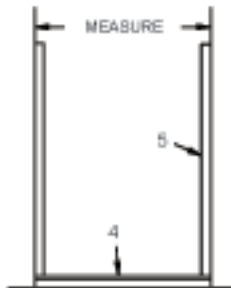
Model 320 / 330



Assemble door handles

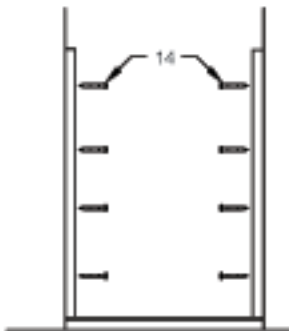
- attach outside door handle (1) and inside door handle (2) to door with two #6-32 x 1 3/4" flat head machine screws (3).
- (The inside door handle should be placed on the magnet side of the door.)

Step 2



- measure the wall to wall opening of the shower.
- cut sill (4) 1/16" less than opening width.
- place sill on center of curb.
- set wall channels (5) firmly on sill (4) next to wall.
- plumb and mark installation holes on wall.
- remove all parts.
- for ceramic tile installation, use a 3/16" masonry bit for drilling installation holes and install plastic wall anchors (13).
- for fiberglass walls, drill 9/84" holes.

Step 3



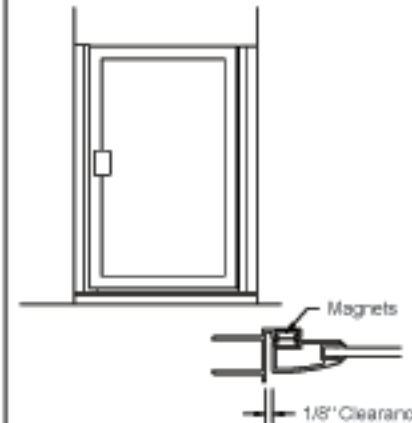
- place a bead of sealant on each end of curb under threshold location.
- replace sill (4) in previous location.
- replace wall channels (5) and secure to wall with eight #6 x 1 1/2" pan head sheet metal screws (14).

Step 4

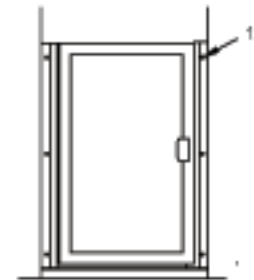
This door is reversible and can swing to the right or left. Decide which way you wish your door to swing. (A right-swing door is shown.)

- cut hinge jamb (7) flush with top of door.
- position strike jamb (6) over wall channel (5) with long side to inside of shower.
- position hinge jamb (7) with door on opposite wall channel (5).
- close door against strike jamb making sure door is flush against jamb and align door to opening.

Note: If magnet does not pull door shut, reverse strike jamb magnet. Groove in magnet should match.

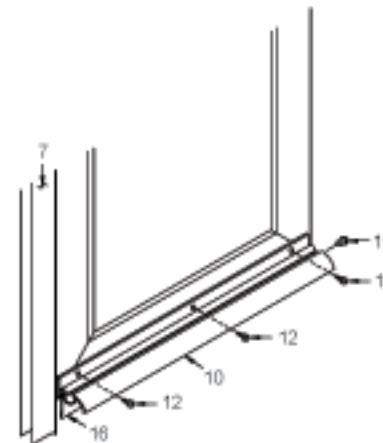


Step 5



- from inside the shower, secure strike jamb (6) to wall channel by drilling 3/32" holes approximately 3/8" from each end and in the center.
- secure with #6 x 1/2" pan head sheet metal screws (12).
- secure hinge jamb (7) to wall channel (5) by drilling 3/32" holes approximately 3/8" from each end and in the center.
- secure with #6 x 1/2" pan head sheet metal screws (12).

Step 6



- insert drip channel vinyl (16) into drip channel (10) and trim to size.
- insert plastic drip channel plug (11) into end of drip channel.
- with door closed, position drip channel on inside of door with a slope to the hinge side (7).
- mark the location, then clean door thoroughly with rubbing alcohol.
- peel protective cover off of double face tape and install drip channel to inside of door.
- drill three 3/32" holes from drip channel into door.
- IMPORTANT:** holes must be drilled a minimum of 1/2" below exposed glass.
- secure with three #6 x 1/2" pan head sheet metal screws (12).

Step 7

- seal inside and outside of unit at any point unit meets wall and curb.